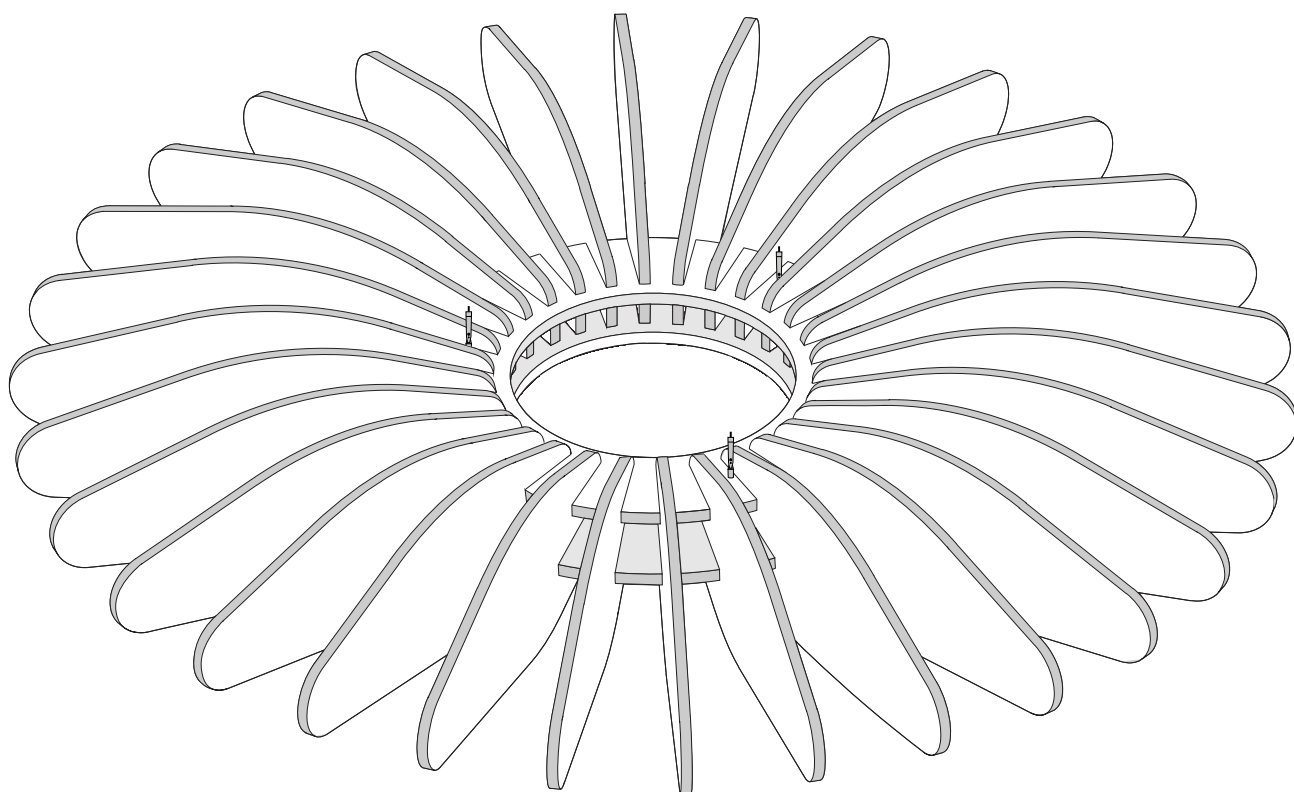


# HYPERFLY CLOUD

INSTALLATION GUIDE



**kirei**

# IMPORTANT INFORMATION

## Installation

Please read the entire Installation Guide prior to application. This installation guide is intended to provide installers with helpful information regarding HyperFly Clouds prior to installation. Kirei accepts no responsibility for installation actions taken or not taken. This installation guide is not intended to be an in-depth guide; installer's knowledge as an experienced tradesman needs to be applied.

If you have questions about application or techniques, contact Kirei. Kirei will not be responsible for any cutting or mounting not performed by Kirei staff.

## Terms of Trade

All HyperFly Cloud products are inspected prior to shipment. Kirei is not responsible for damage in shipment or in storage; customers should carefully inspect all items at time of delivery and note any obvious damage on the delivery receipt. For the customer's protection subsequently discovered concealed damage must be reported immediately to the carrier. Claims to Kirei will not be considered if the sheet has been worked on by the customer or others. No claims for labor charges will be allowed in any circumstances.

## Work Safety

In the interest of work safety, it is recommended that people working with HyperFly Clouds wear the appropriate safety equipment. Although the product emits zero off-gases, masks and gloves should be worn to ensure the maximum possible safety precautions. For an SDS form, please contact Kirei.

## Product Notes

HyperFly Cloud's acoustic performance will alter based on a variety of factors including spacing between clouds. HyperFly Clouds have a grain that can reflect light differently, looking slightly lighter or darker depending on placement.

## Cleaning & Handling

Do not store HyperFly Clouds vertically, please store laying flat.  
See the [Handling and Cleaning Guide](#) for more information.

## HyperFly Cloud Specs

See the [HyperFly Cloud Spec Sheet](#) for product details and information.

## Product & Installation Questions

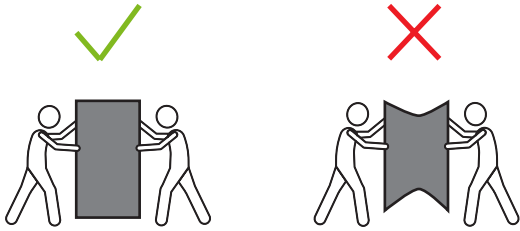
PH: 619.236.9924

Email: [info@kireiusa.com](mailto:info@kireiusa.com)

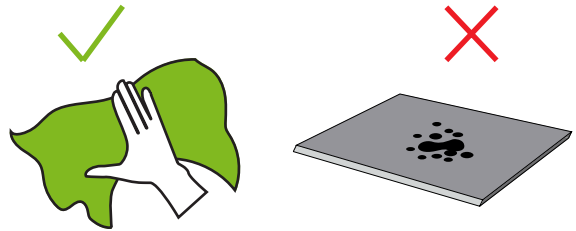
Web: [kireiusa.com](http://kireiusa.com)

# HANDLING

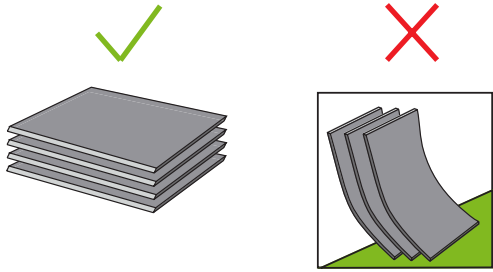
Carry boxes and products upright.



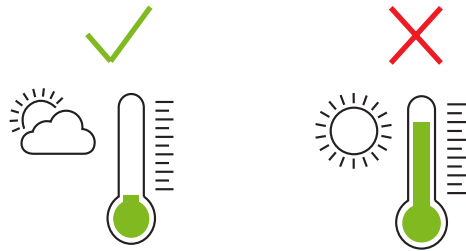
Keep all surfaces clean for storage and fabrication.



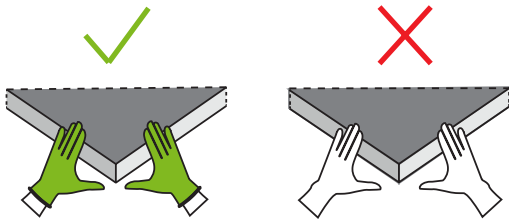
Store boxes and products flat.



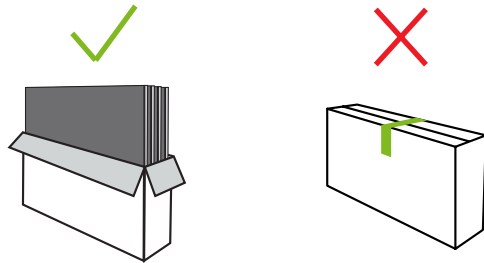
Store in a cool, dry place with no direct sun. Avoid 145 degree temperatures or greater.



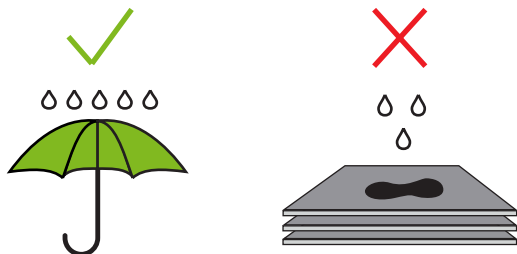
Wear gloves for handling light colors.



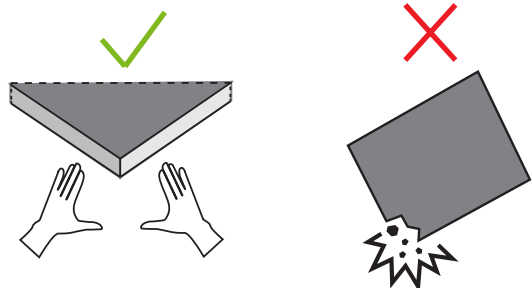
Upon delivery, inspect all goods for order corrections and damage.



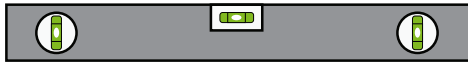
Keep product dry and avoid humidity.



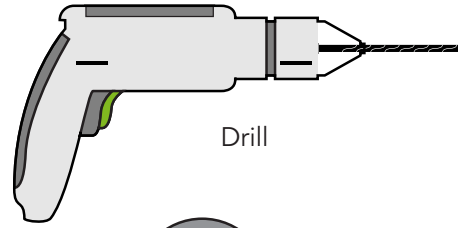
Protect the edges.



## TOOLS THAT MAY BE NEEDED



Level



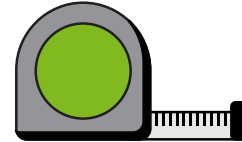
Drill



Crimper



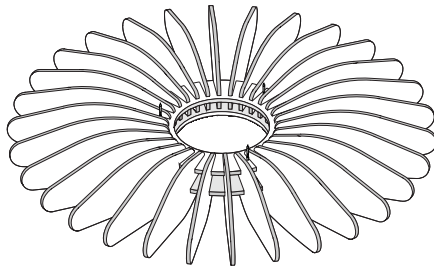
Wire Cutter



Tape Measure

Not all tools are needed for installation, but depending on install choice, could be used.

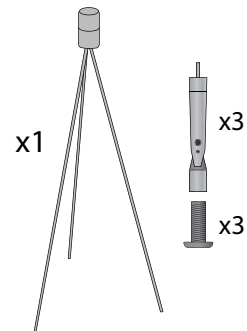
## ITEMS INCLUDED



HyperFly Cloud

\*Per style and quantity ordered

\*Clouds are not assembled when shipped; assembly is required



HyperFly Cloud Kit

## ITEMS NOT INCLUDED

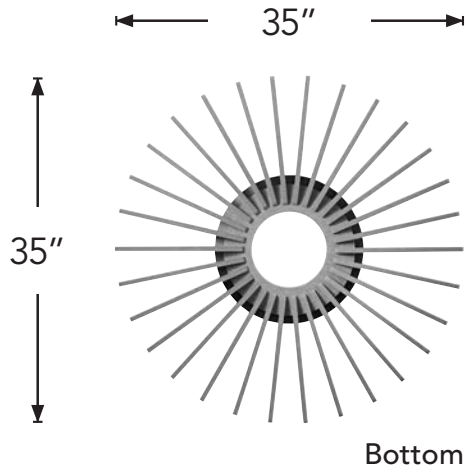


Compatible aircraft cables for the supplied cable grippers are 3/64" - 1/16"

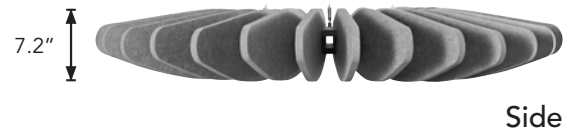
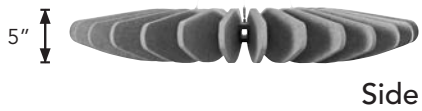
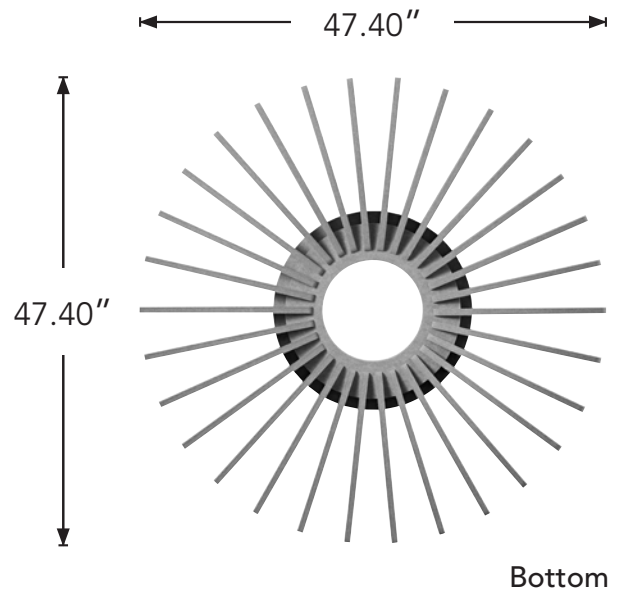
Aircraft Cable

# Product Dimensions

HyperFly Cloud (Small)



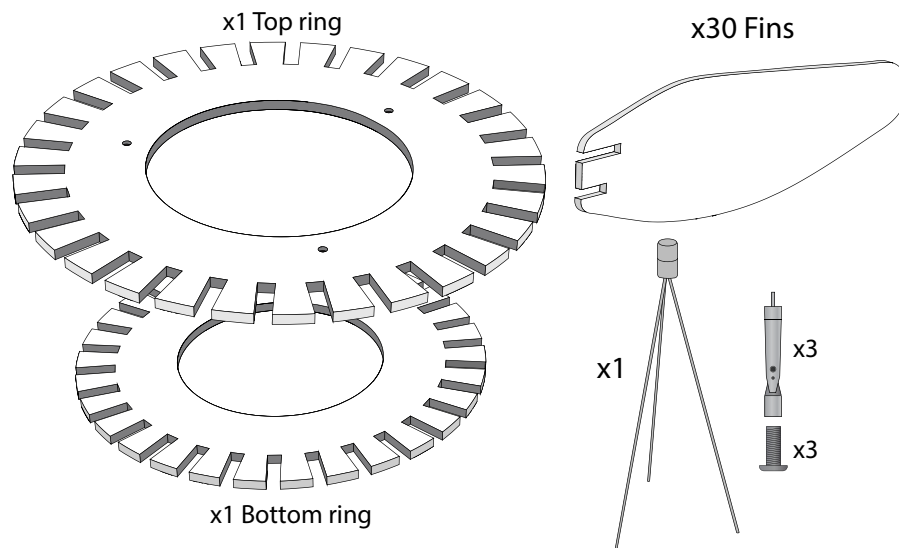
HyperFly Cloud (Large)



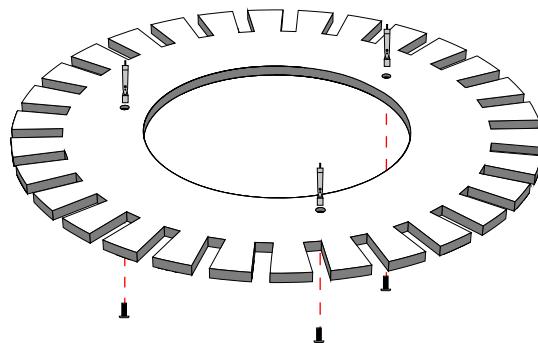
# INSTALLATION

The safest and easiest install is achieved by evaluating the location in advance to determine and ensure that cable path from ceiling is unobstructed. Typically two people are needed for most install applications. The clouds are not assembled when shipped; assembly is required.

- 1** Remove cloud parts from the box. Confirm color, undamaged condition and compatibility of hanging hardware. Clean any debris off the unassembled cloud(s).

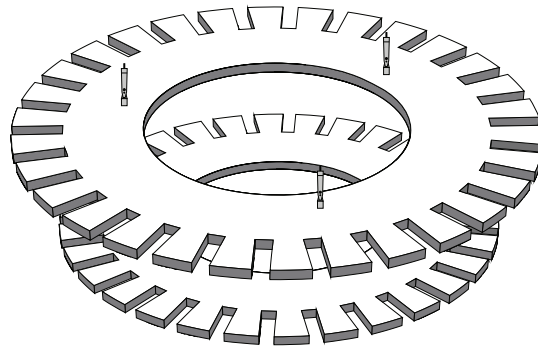


- 2** Attach jointed hardware with 1/4"-20 male threaded flat head screws onto the larger ring.



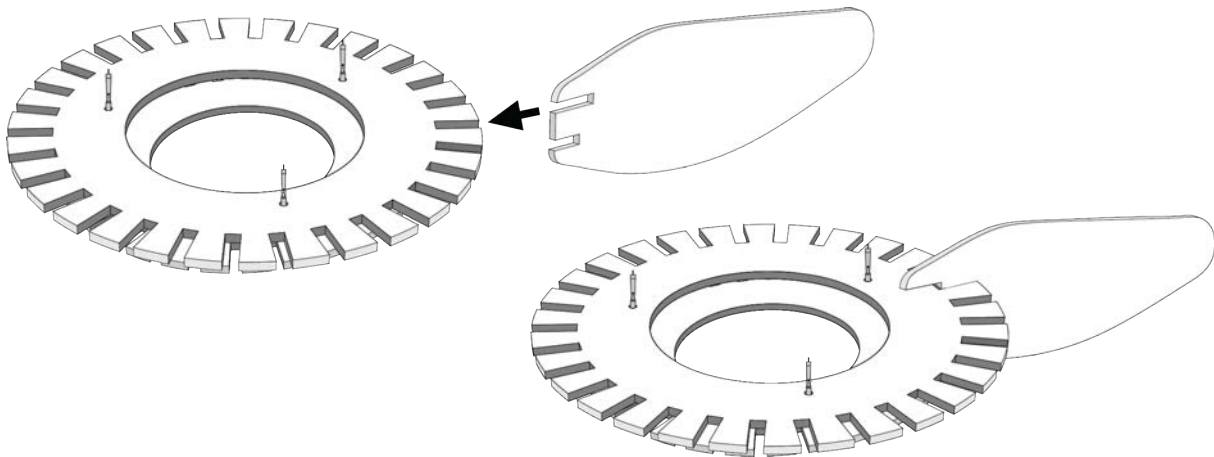
# INSTALLATION

- 3** Place larger ring on top of smaller ring.



- 4** Slide fins into corresponding slots. The longer slot on the fins connect to the larger ring, and the smaller slot on the fins connect to the smaller ring.

*Note: Ensure all fins are securely fitted throughout entire installation process.*



# INSTALLATION

5

Determine which suspension method to use: 3-way cable splitter (Figure 1) or 3-way direct mount (Figure 2). If using the 3-way direct mount method, omit the cable splitter.

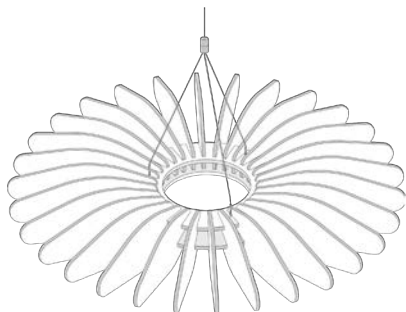


Figure 1  
3-Way Cable Splitter

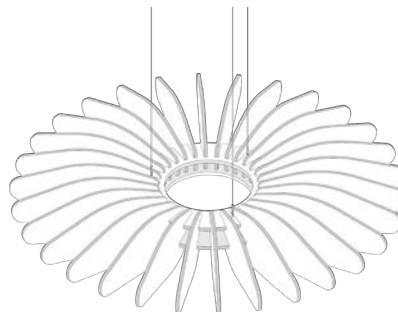


Figure 2  
3-Way Direct Mount

For 3-way cable splitter method:

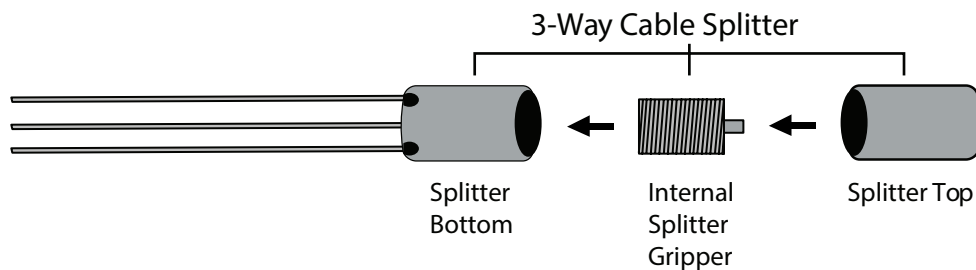
Step 1:

To assemble the 3-part cable splitter, insert the ball-end cables through the bottom splitter piece with three holes.



Step 2:

Next, attach the internal splitter gripper and splitter top.

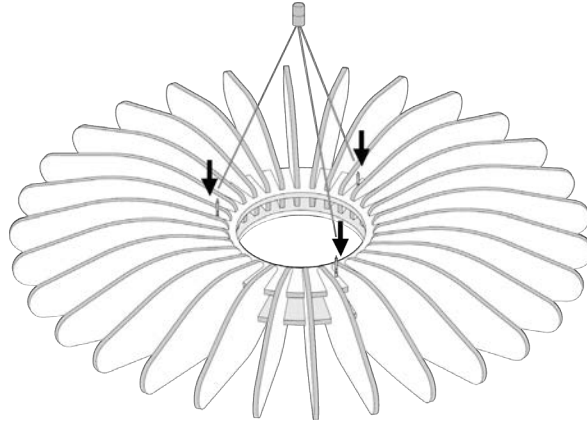


# INSTALLATION

6

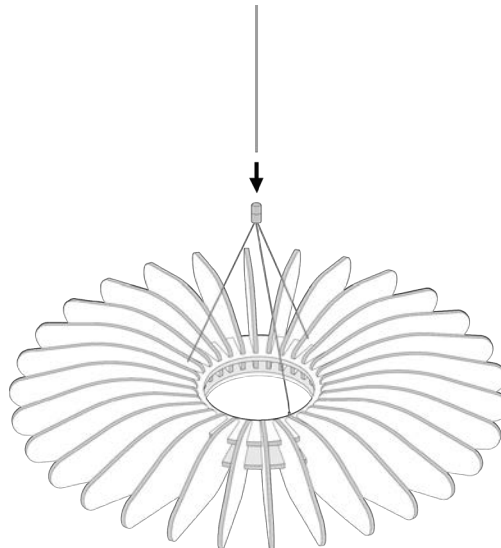
Attach the 3 cables to the 3 grip locks and ensure cables are not twisted.

*Note: Ceiling mounting hardware and suspension items are not included.*



7

Attach splitter top to installer-provided ceiling mounting cable.

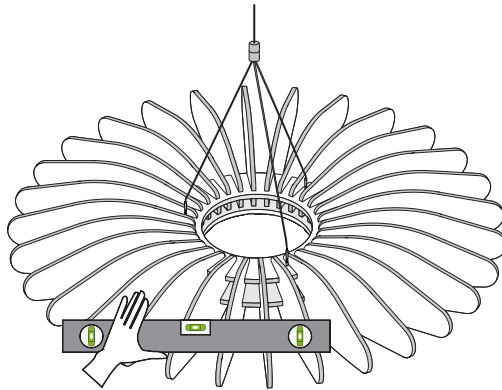


# INSTALLATION

8

Securely mount the appropriate hardware to the ceiling and then, using a level to ensure accurate alignment, attach cloud to the hardware with the assembled suspension cable.

*Note: Due to the single cable hanging point, we do not recommend hanging HyperFly Clouds in a heavy airflow area, as they are susceptible to slight movement once installed. We recommend a 3-way direct mount (see step 5) in such spaces. Contact Kirei for more information.*



# kirei

## CONTACT INFORMATION

Phone: 619.236.9924

Email: [info@kireiusa.com](mailto:info@kireiusa.com)

Web: [kireiusa.com](http://kireiusa.com)

---

### Our Mission

Kirei strives to inspire a beautiful world by providing architects, interior designers, and placemakers with sustainable architectural design elements for inspiring healthy spaces.

### Committed To Sustainability

Kirei prioritizes sustainable design in our materials and our process. Our products must contain a minimum of 50% or more recycled material, meet or exceed CDPH standards for VOCs, and must be Red List Free and Declare Label qualified/certified. From tiles made of plastic bottles to clouds filled with Nike Grind, being "green" is a key quality of all our products.

### Our Proven Process

Our proven process is simple and guides all that we do. We listen and learn the needs of a designer's project to inspire and assist through the specification process. We get the spec right, working with installers and contractors to get accurate bid information. We provide best-in-class service that includes reliable delivery and installer support, ensuring that each project gets exactly what it needs when it needs it. Finally, we celebrate the designer, their project, and the win!