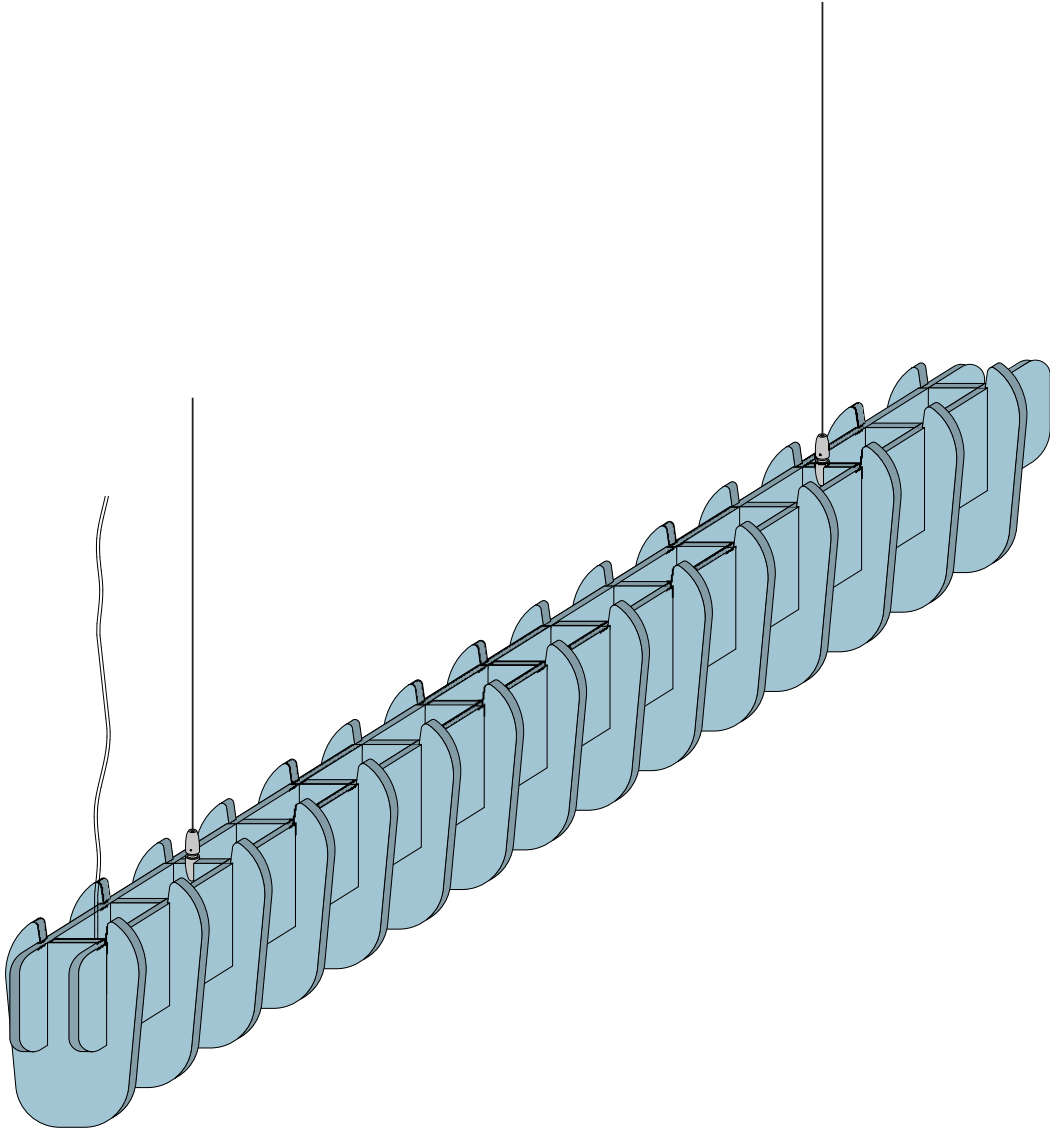


HYPERFLY BAFFLE LIT

INSTALLATION GUIDE



kirei

IMPORTANT INFORMATION

Installation

Please read the entire Installation Guide prior to application. This installation guide is intended to provide installers with helpful information regarding HyperFly Baffle Lit prior to installation. Kirei accepts no responsibility for installation actions taken or not taken. This installation guide is not intended to be an in-depth guide; installer's knowledge as an experienced tradesman needs to be applied.

If you have questions about application or techniques, contact Kirei. Kirei will not be responsible for any cutting or mounting not performed by Kirei staff.

Terms of Trade

All HyperFly Baffle Lit products are inspected prior to shipment. Kirei is not responsible for damage in shipment or in storage; customers should carefully inspect all items at time of delivery and note any obvious damage on the delivery receipt. For the customer's protection, subsequently discovered or concealed damage must be reported immediately to the carrier. Claims to Kirei will not be considered if the product has been worked on by the customer or others. No claims for labor charges will be allowed in any circumstances.

Work Safety

In the interest of work safety, it is recommended that people working with HyperFly Baffle Lit wear the appropriate safety equipment. Although the product emits zero off-gases, masks and gloves should be worn to ensure the maximum possible safety precautions. For an SDS form, please contact Kirei.

Disconnect all power before electrical installation and connection.

Product Notes

HyperFly Baffle Lit's acoustic performance will alter based on a variety of factors including spacing between baffles.

Cleaning & Handling

Do not store HyperFly Baffle Lit vertically, please store laying flat.
See the [Handling and Cleaning Guide](#) for more information.

HyperFly Baffle Lit Specs

See the [HyperFly Baffle Lit Spec Sheet](#) for product details and information.

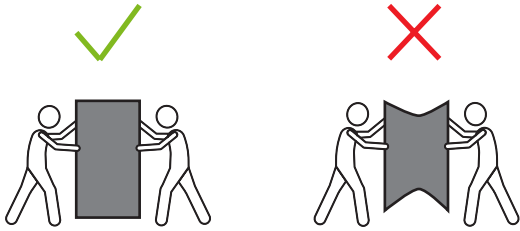
Product & Installation Questions

Kirei - Baffle Support
PH: 619.236.9924
Email: info@kireiusa.com
Web: kireiusa.com

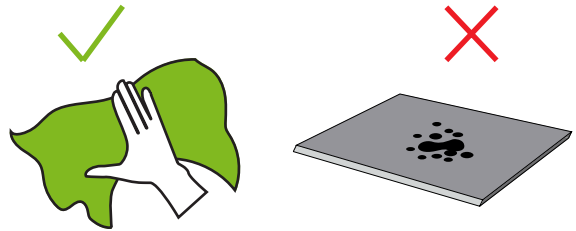
RESOLUTE - Lighting Support
PH: 206.343.9323
Email: kirei@resoluteusa.com
Web: resoluteonline.com

HANDLING

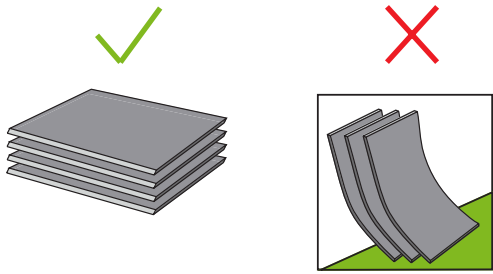
Carry boxes and products upright.



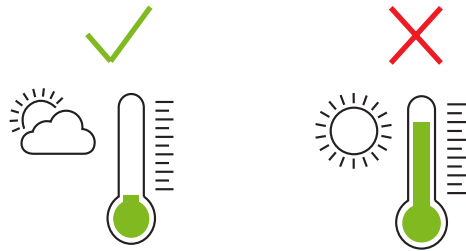
Keep all surfaces clean for storage and fabrication.



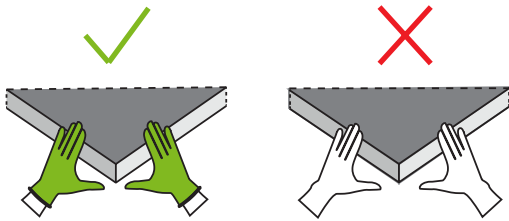
Store boxes and products flat.



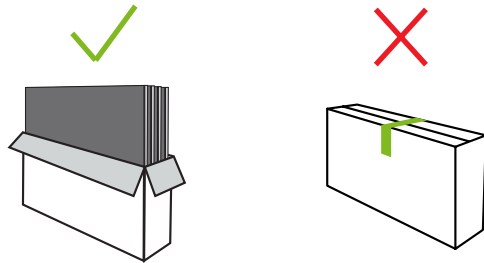
Store in a cool, dry place with no direct sun. Avoid 145 degree temperatures or greater.



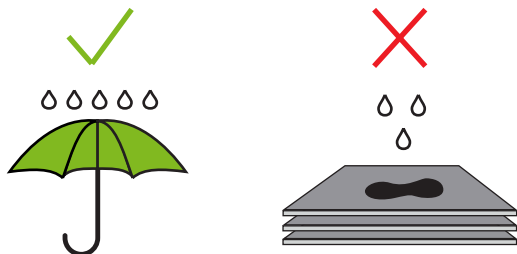
Wear gloves for handling light colors.



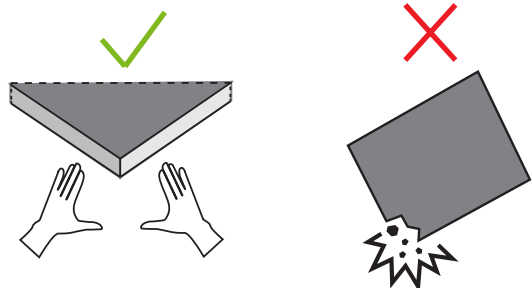
Upon delivery, inspect all goods for order corrections and damage.



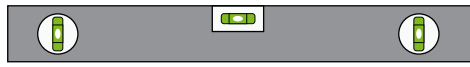
Keep product dry and avoid humidity.



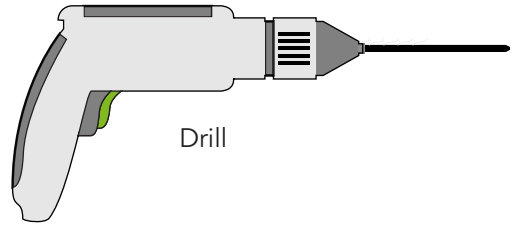
Protect the edges.



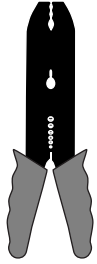
TOOLS THAT MAY BE NEEDED



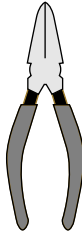
Level



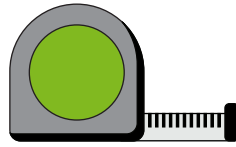
Drill



Crimper



Wire Cutter



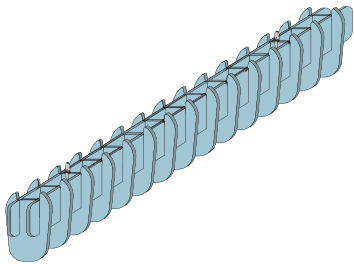
Tape Measure



Screw Driver

Not all tools are needed for installation, but depending on install choice, could be used.

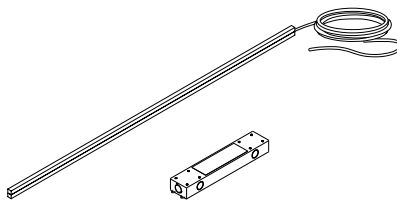
ITEMS INCLUDED



HyperFly Baffle Lit

- Per style and quantity ordered

*Baffles are not assembled when shipped; assembly is required



RESOLUTE HyperBEAM Fixture and Hardware

- Driver
- Cord w/ Cord Cover
- Per style and quantity ordered



x2-4

R2 Vertical Panel Grippers (1/2") with Screws (Assembled)

- x2-4 quantity will depend on style

ITEMS NOT INCLUDED

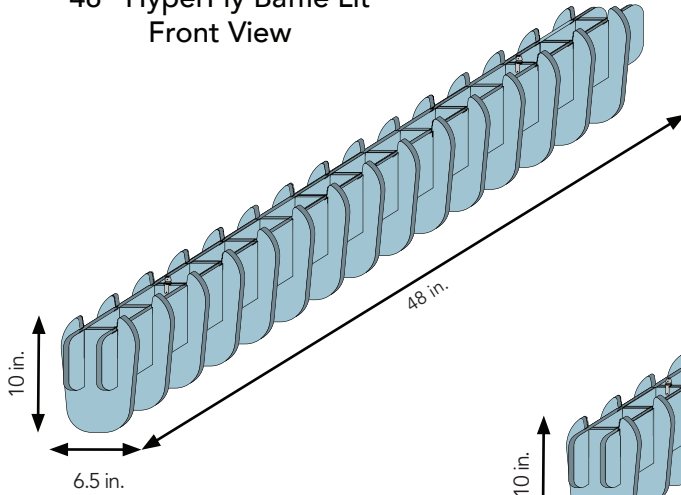


Compatible aircraft cables for the supplied cable grippers are 3/64" - 1/16"

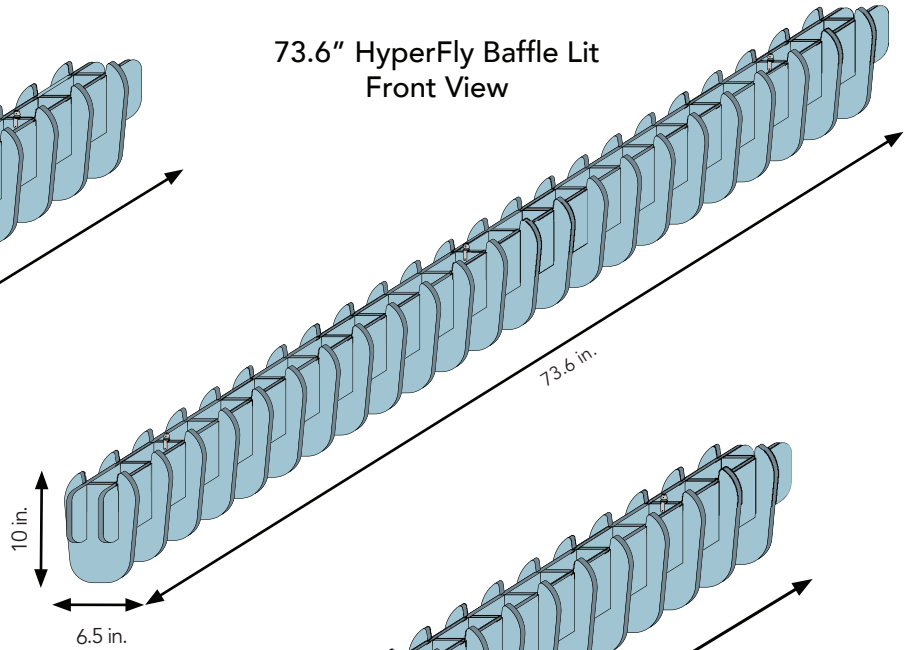
Aircraft Cable

Dimensions

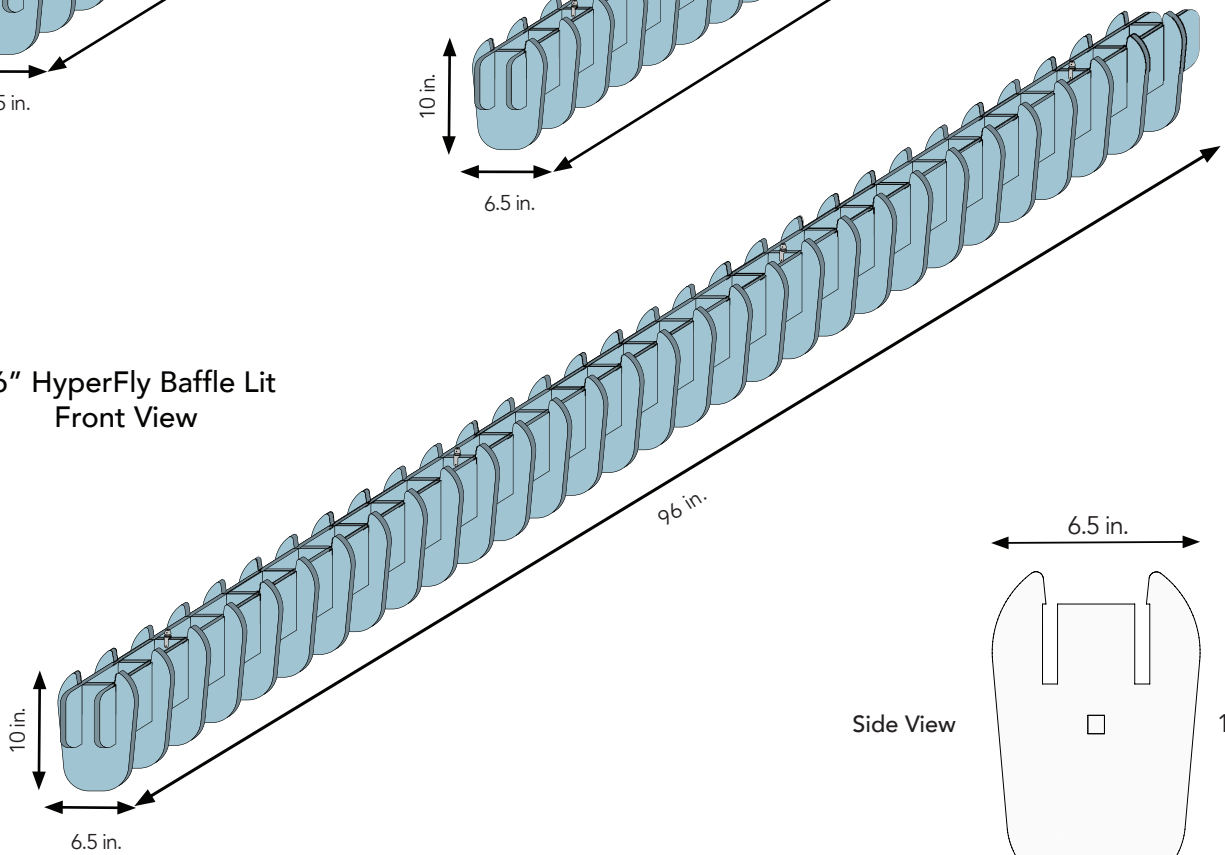
48" HyperFly Baffle Lit
Front View



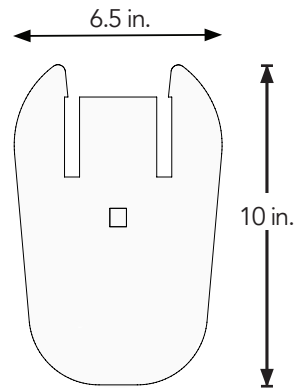
73.6" HyperFly Baffle Lit
Front View



96" HyperFly Baffle Lit
Front View



Side View



Note:

- 48" HyperFly Baffle Lit comes with 2 hanging points.
- 73.6" HyperFly Baffle Lit comes with 3 hanging points.
- 96" HyperFly Baffle Lit comes with 4 hanging points.

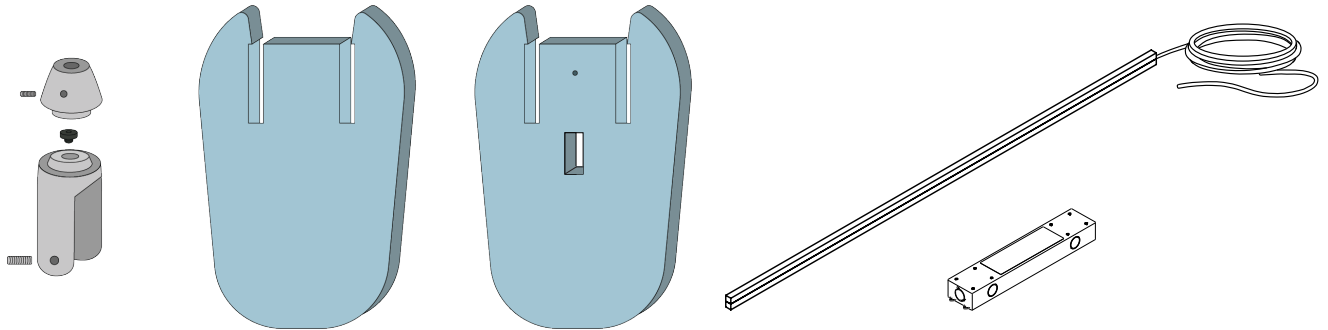
INSTALLATION



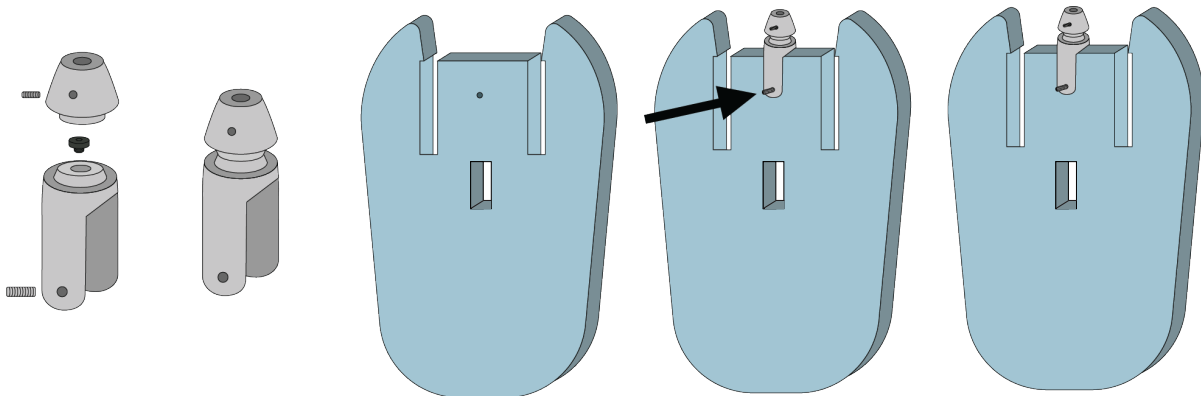
Disconnect power before installation.

The safest and easiest install is achieved by evaluating the location in advance to determine and ensure that cable path from ceiling is unobstructed. Typically two people are needed for most install applications.

- 1** Remove baffle parts from the box. Confirm fin and hardware quantity (dependent on baffle length specified - see step 3), color, undamaged condition and compatibility of hanging hardware. Clean any debris off the unassembled baffle(s).



- 2** Assemble and attach hardware - the supplied R2 Vertical Panel Grippers and screws or a different connector of your choice - onto the pre-drilled holes. Each baffle has two-four attachment points (depending on length).



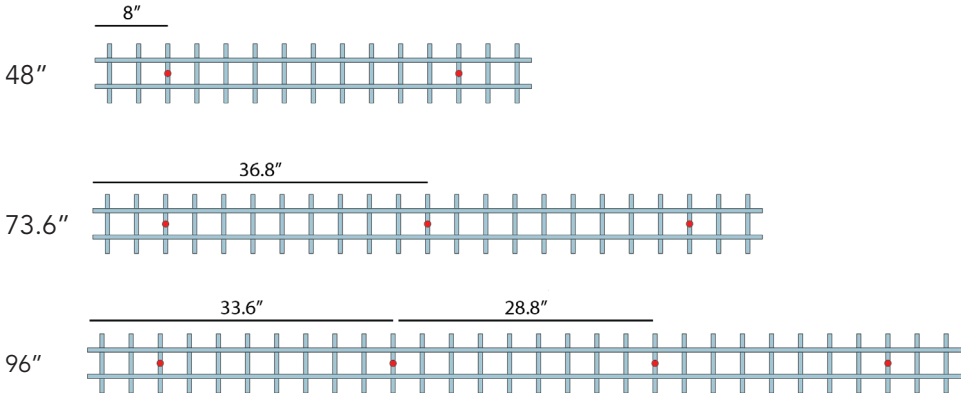
INSTALLATION

3 Reference table and diagram for fin and hardware quantity, fin placement and recommended pre-drilled hole placements.

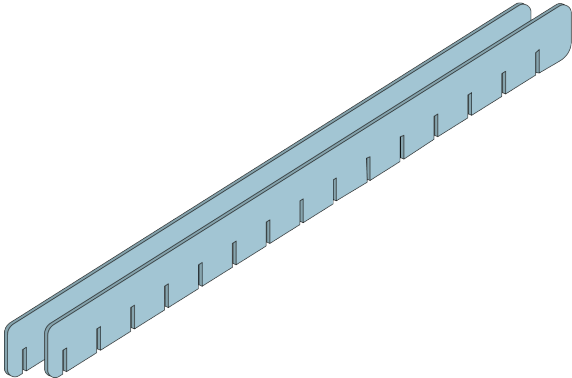
NOTE:

- All pieces of hardware will need to be installed, as specified by baffle length.
- Hardware can be adjusted to accommodate for ceiling obstructions, by switching fin placement.

Style	Fin Quantity	Hardware Quantity	Hardware Placement
48"	13x (including 2x pre-drilled fins)	2x	Third to last fins
73.6"	20x (including 3x pre-drilled fins)	3x	Third to last fins, and 12th fin (center).
96"	26x (including 4x pre-drilled fins)	4x	Third to last fins, the 11th, and 20th fin.

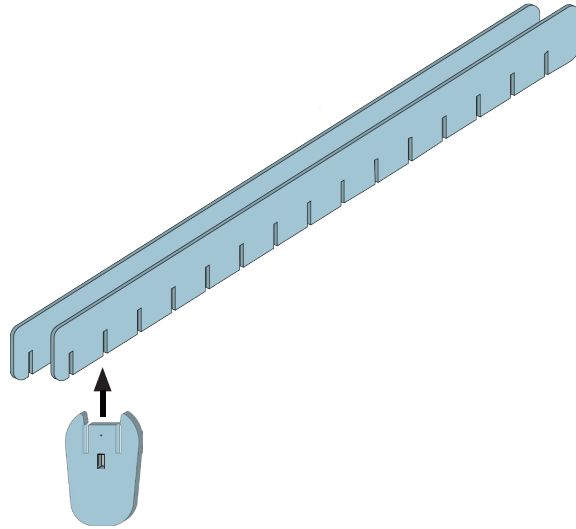


4 Place specified length bars parallel to each other.



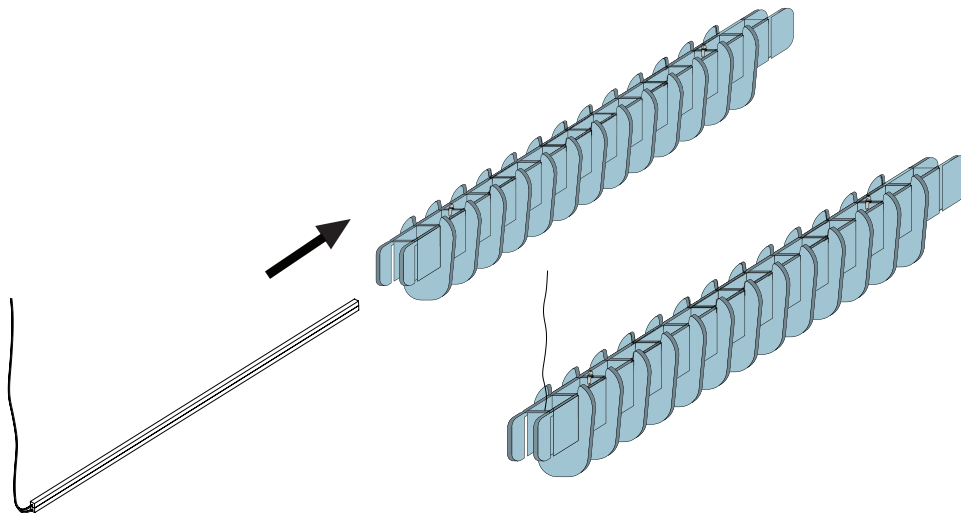
INSTALLATION

- 5** After hardware placement is determined, slot in internal baffle fins with designated slots for HyperBEAM fixture (undrilled and pre-drilled with attached hardware) accordingly. Do not install end fins at this step.



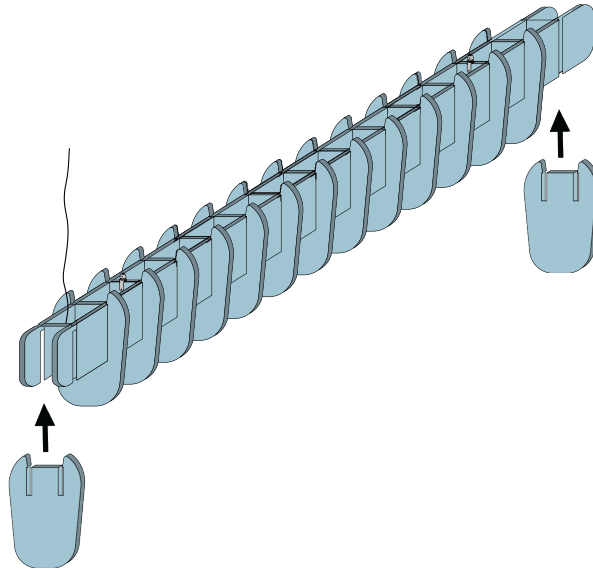
- 6** Ensure RESOLUTE HyperBEAM fixture(s) is in correct orientation for desired lighting application (direct or indirect). Feed fixture through the slots cut into internal fins. If using both direct and indirect lighting, ensure both fixtures are aligned, magnet to magnet, before proceeding.

NOTE: Direct & indirect lighting application specifications will ship with HyperBEAM fixture ends fastened with plastic clips. Remove clips before installing into baffle, then re-attach once installed for stability.



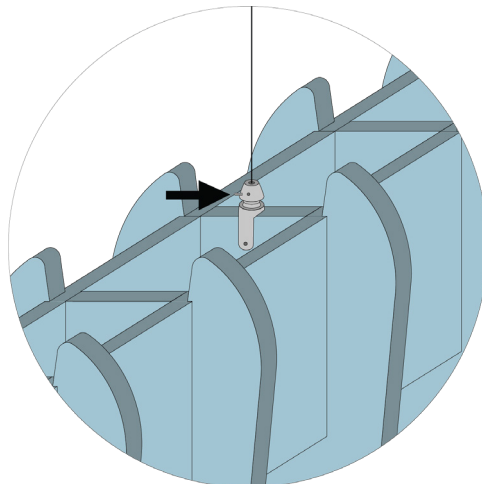
INSTALLATION

- 7** After lighting fixture is installed, slot in end fins to both ends of the baffle. Ensure RESOLUTE HyperBEAM is centered and secure in baffle before installing hardware.



- 8** Attach ceiling mounting hardware and suspension cable/chain/rod/etc. Next, attach the supplied R2 Vertical Panel Grippers and screws (on the HyperFly Baffle Lit), to the aircraft cable, by tightening the set screw. To ensure aircraft cable is tightly secured, pull on the attached aircraft cable with 15lbs of pressure.

Note: Ceiling mounting hardware and suspension items are not included.

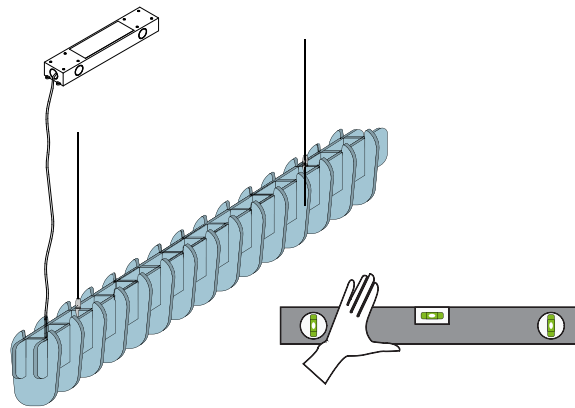


INSTALLATION

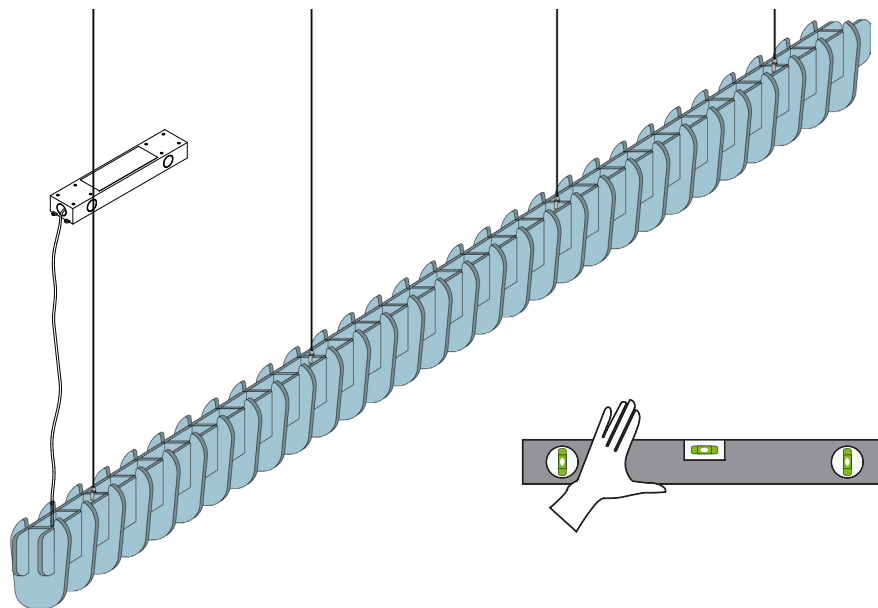
9

Level the HyperFly Baffle Lit(s).

Note: Larger baffles will sag, so be sure to use middle hang points to adjust and level baffle(s).



48" HyperFly Baffle Lit



96" HyperFly Baffle Lit

For connecting fixture to power and electrical wiring diagrams, please scan the QR code:



kirei

CONTACT INFORMATION

Phone: 619.236.9924

Email: info@kireiusa.com

Web: kireiusa.com

RESOLUTE: kirei@resoluteusa.com

Our Mission

Kirei strives to inspire a beautiful world by providing architects, interior designers, and placemakers with sustainable architectural design elements for inspiring healthy spaces.

Committed To Sustainability

Kirei prioritizes sustainable design in our materials and our process. Our products must contain a minimum of 50% or more recycled material, meet or exceed CDPH standards for VOCs, and must be Red List Free and Declare Label qualified/certified. From tiles made of plastic bottles to baffles filled with Nike Grind, being "green" is a key quality of all our products.

Our Proven Process

Our proven process is simple and guides all that we do. We listen and learn the needs of a designer's project to inspire and assist through the specification process. We get the spec right, working with installers and contractors to get accurate bid information. We provide best-in-class service that includes reliable delivery and installer support, ensuring that each project gets exactly what it needs when it needs it. Finally, we celebrate the designer, their project, and the win!