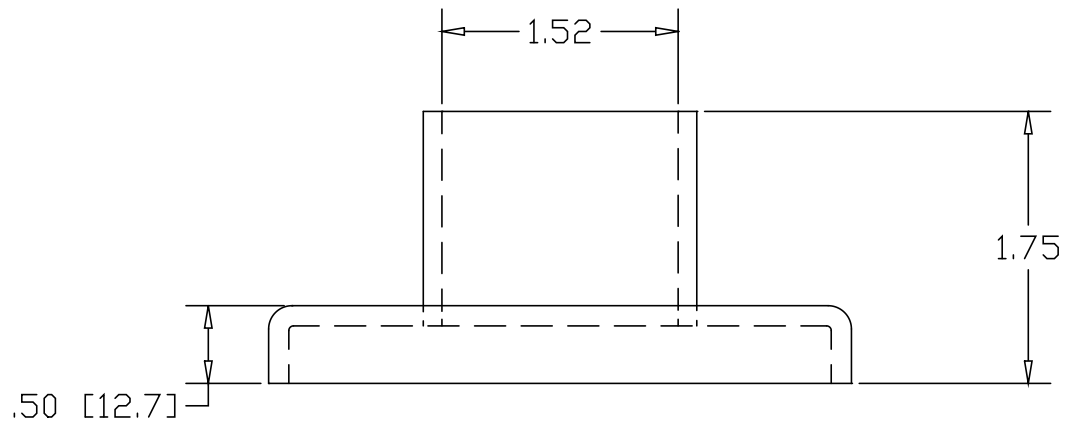
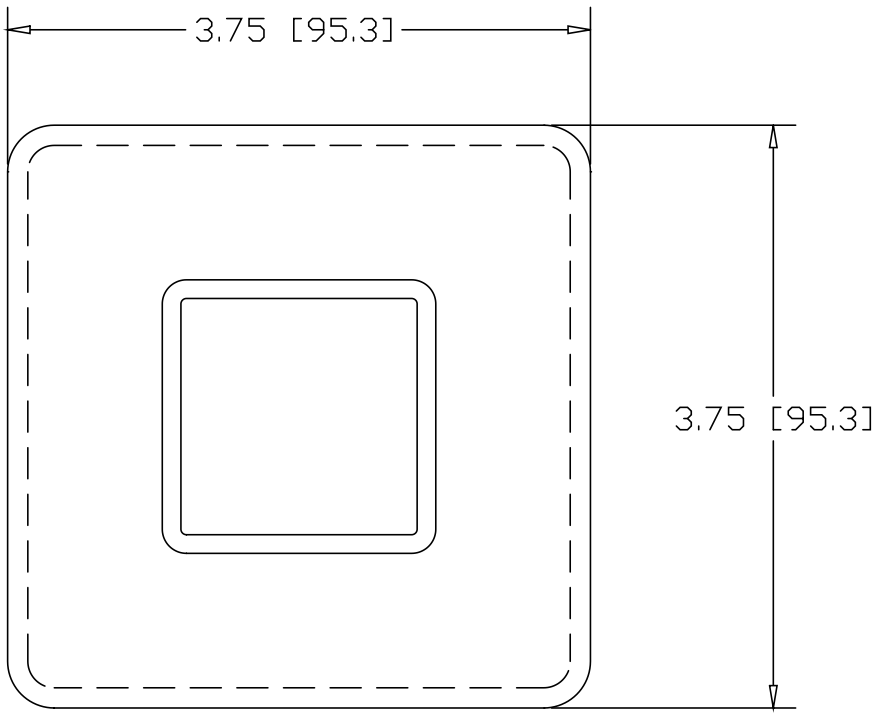



REV
SH
8913
DWG NO

REVISIONS			
REV	DESCRIPTION	DATE	APPROVED



INCHES [MILLIMETERS]

ALTERNATE MATERIAL	PART NUMBER
.125 (3003) ALUMINUM ASTM B-209	8937

PART NAME		1-1/2" SQUARE TUBE SOCKET FLANGE			
MATERIAL		10 GA. HRP&D STEEL ASTM A-569			
DATE	3/16/95				
DRAWN BY	RJF				
FINISH	MILL	SIZE	WEIGHT	PART NUMBER	REV
		A	.79 LBS	8913	