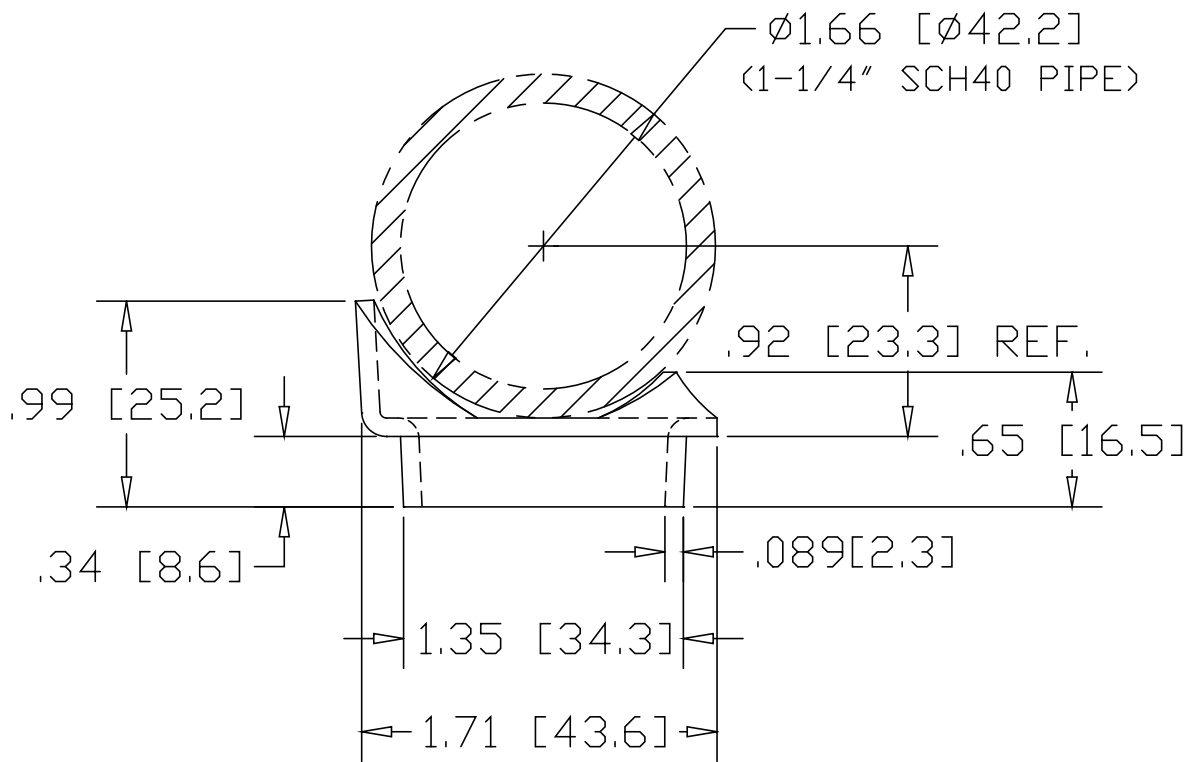
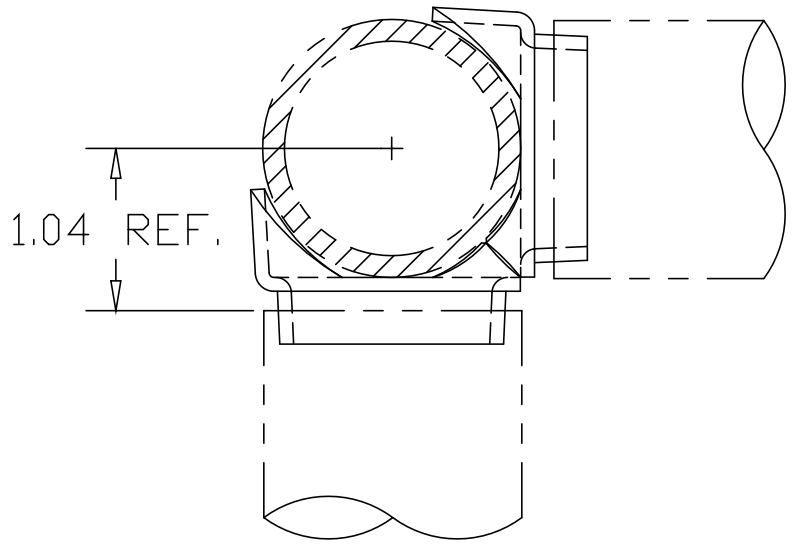
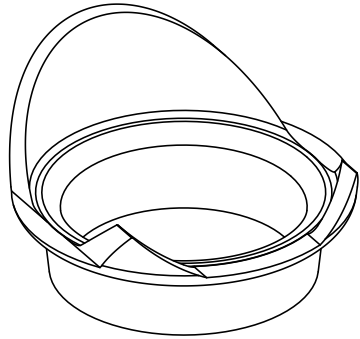



REV
SH
1826
DWG NO

REVISIONS			
REV	DESCRIPTION	DATE	APPROVED



INCHES [MILLIMETERS]

ALTERNATE MATERIAL	PART NUMBER
.09 (3003) ALUMINUM ASTM B209	1827

PART NAME 1-1/4" SCH40 PIPE TYPE "B" COPED WELDING CONNECTOR			
MATERIAL 13 GA. (.089) HRP&D STEEL ASTM A569			
DATE 10/22/01	 R & B WAGNER, INC.		
DRAWN BY JAH			
FINISH MILL	SIZE A	WEIGHT .06 LBS	PART NUMBER 1826
			REV