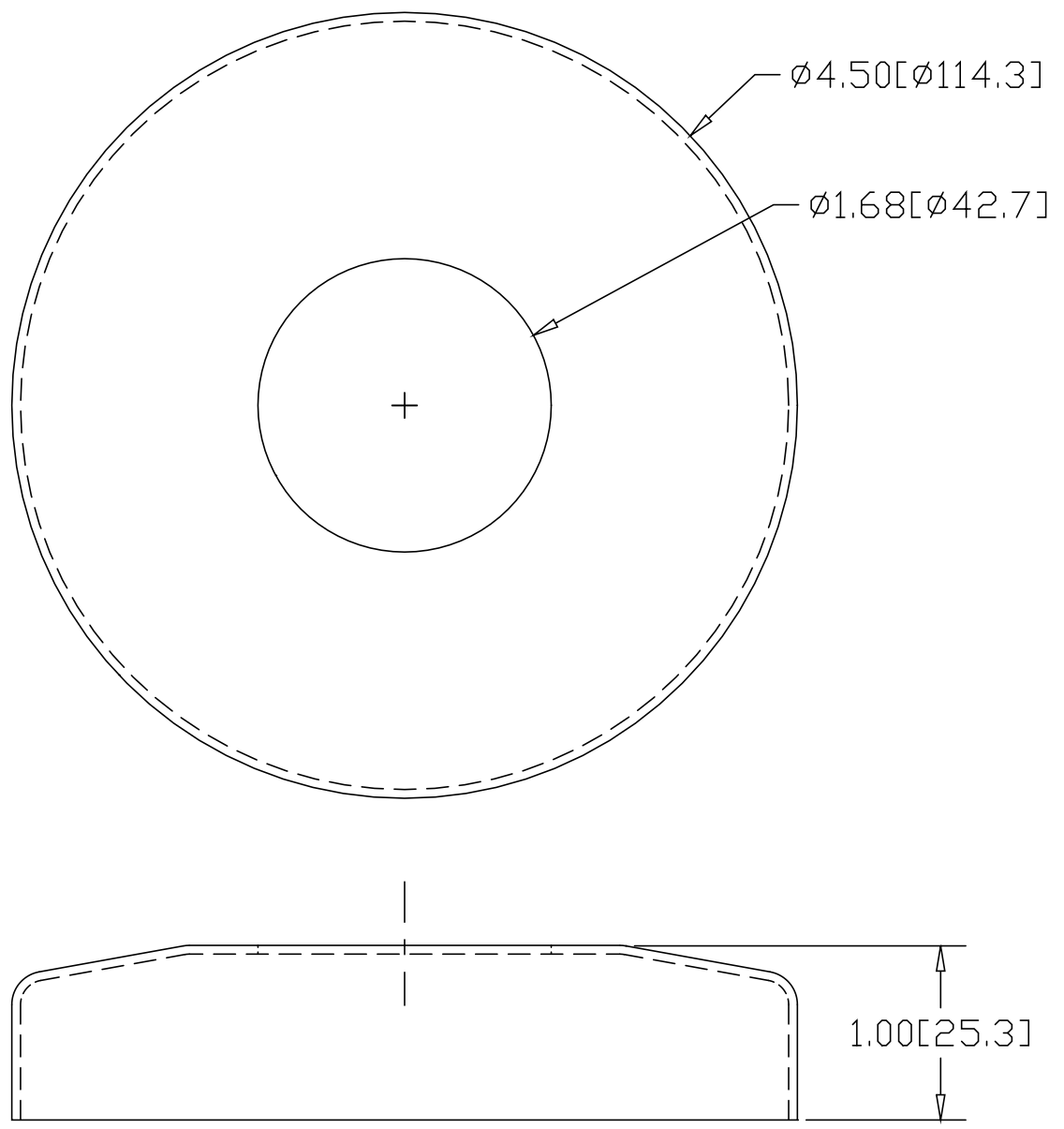


REV  
SH  
2065  
DWG NO


| REVISIONS |             |      |          |
|-----------|-------------|------|----------|
| REV       | DESCRIPTION | DATE | APPROVED |



INCHES [MILLIMETERS]

\* USE WITH BASE  
 #2065B IN STEEL  
 #2066B IN ALUMINUM  
 #2067B IN STAINLESS  
 #2068B IN BRASS

| ALTERNATE MATERIAL                | PART NUMBER |
|-----------------------------------|-------------|
| .063 (3003) ALUMINUM ASTM B209    | 2066        |
| 18 GA. (304) STAINLESS STEEL A240 | 2067        |
| .050 (280) MUNTZ METAL            | 2068        |

|           |        |   |         |             |
|-----------|--------|---|---------|-------------|
| PART NAME |        | 1-1/4" PIPE SNAP COVER  |         |             |
| MATERIAL  |        | 18 GA. CR STEEL ASTM A366   |         |             |
| DATE      | 4/3/97 |  <b>R &amp; B WAGNER, INC.</b> |         |             |
| DRAWN BY  | RJF    |   |         |             |
| FINISH    | MILL   | SIZE  | WEIGHT  | PART NUMBER |
|           |        | A   | .29 LBS | 2065        |
|           |        |   |         | REV         |