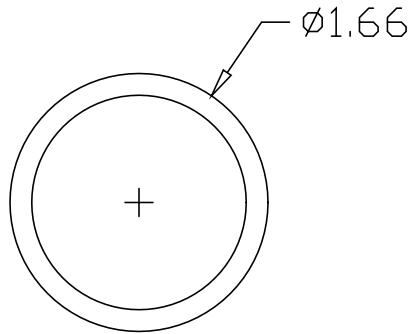
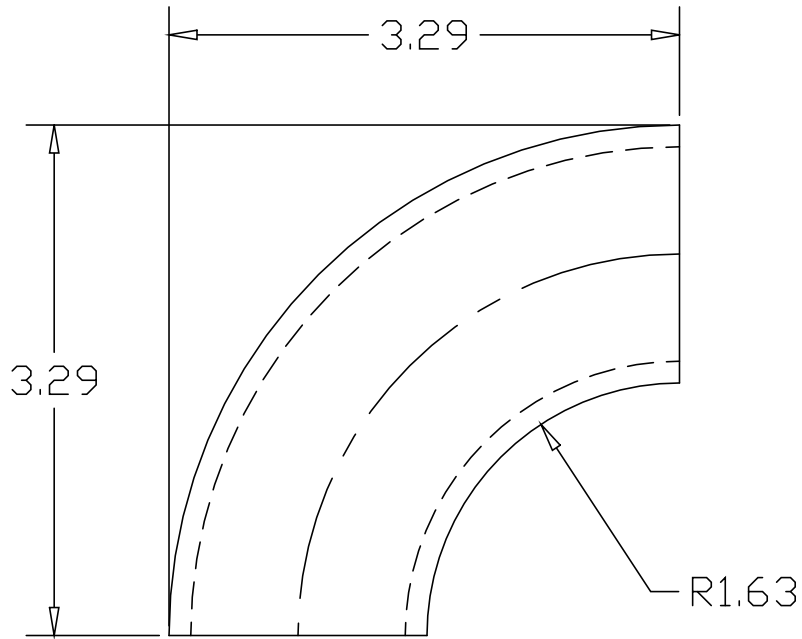



REV
SH
4654
DWG NO

REVISIONS			
REV	DESCRIPTION	DATE	APPROVED



PART NAME		1-5/8" I.R. X 90° PIPE ELL - FORMED					
MATERIAL		1-1/4" SCH 40 304 STAINLESS STEEL PIPE					
DATE	12/9/93	 THE WAGNER COMPANIES R & B WAGNER, INC. AND J. G. BRAUN CO.					
DRAWN BY	RJF						
FINISH	MILL						
SIZE	A	WEIGHT	.76 LBS	PART NUMBER	4654	REV	