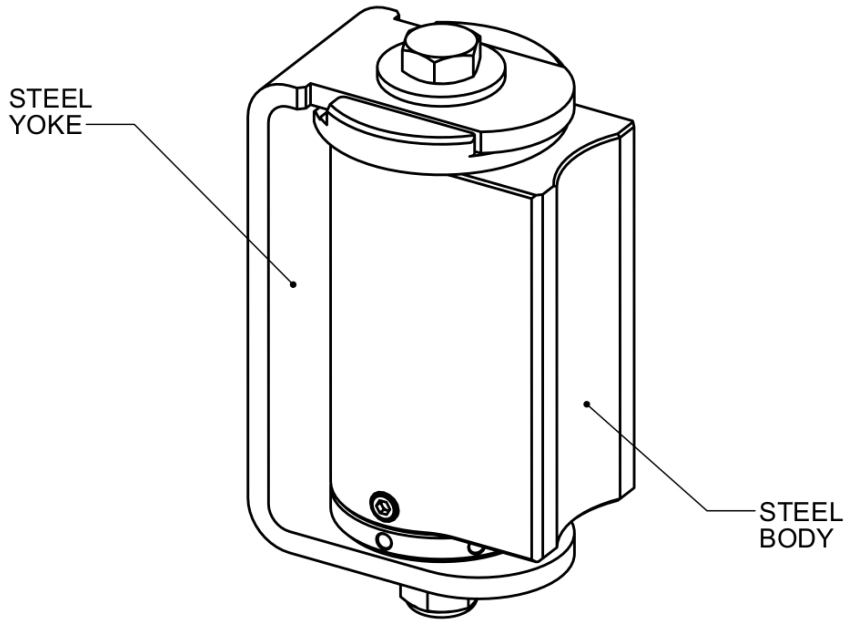
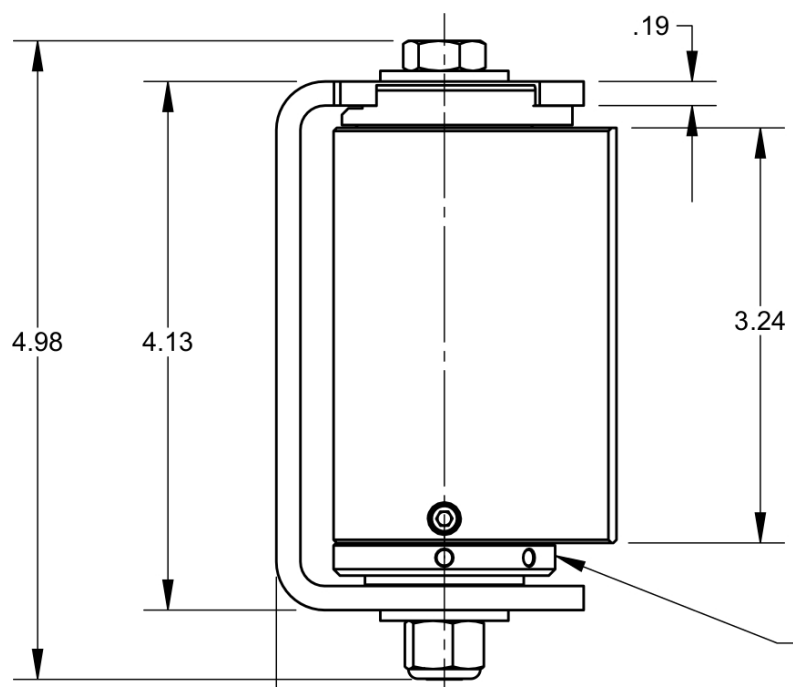
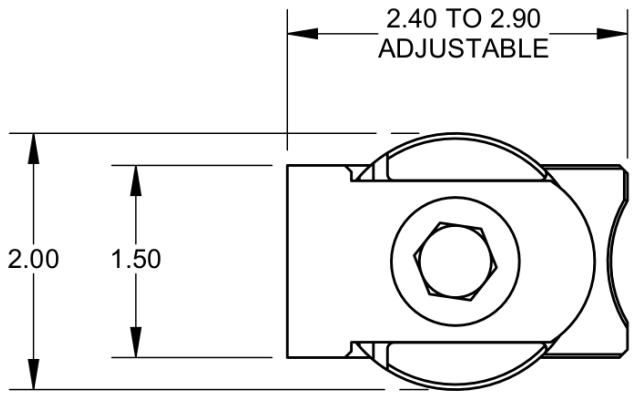


REVISIONS			
REV.	DESCRIPTION	DATE	APPROVED
B	INITIAL RELEASE		



SPRING TORQUE ADJUSTMENT RING

UNLESS OTHERWISE SPECIFIED:
DIMENSIONS ARE IN INCHES
CONCENTRICITY OF MACHINED
DIAMETERS IS .005 FIM OR BETTER
.XXX = +/- .005 INCH
.XX = +/- .010 INCH

THIRD ANGLE PROJECTION

SHUT IT
4500 E. SPEEDWAY BLVD
SUITE 48
TUCSON, AZ 85712

Phone: 520-320-0680
Fax: 520-320-0681



TITLE: SELF CLOSING HINGE ASSEMBLY		
SIZE A	DWG. NO. CI3850 DIMENSIONS	REV B
DATE	SCALE: 2:3	SHEET 1 OF 1