

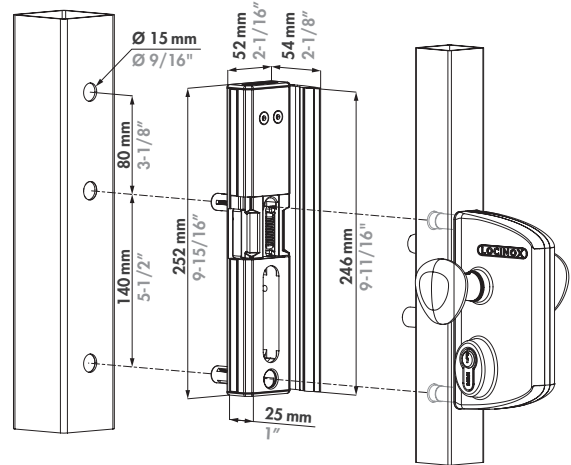
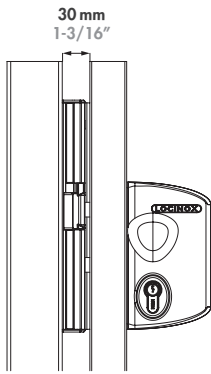
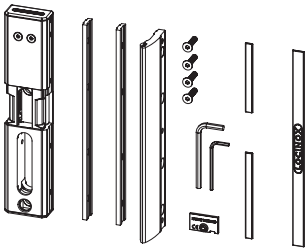
# LOCINOX<sup>®</sup>

Let's make better fences together

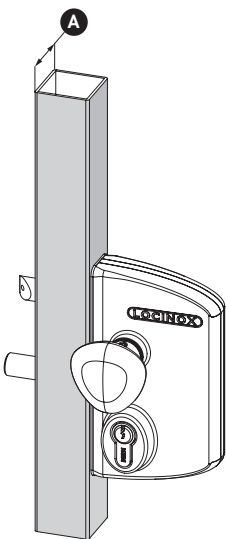
## MODULEC-SA

### ① Exploded view & dimensions

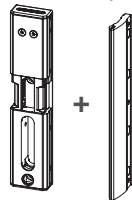
#### Package content



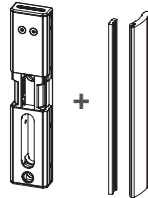
### ② Gate profile dimensions



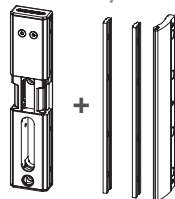
**A** = 40 mm  
1-5/8"



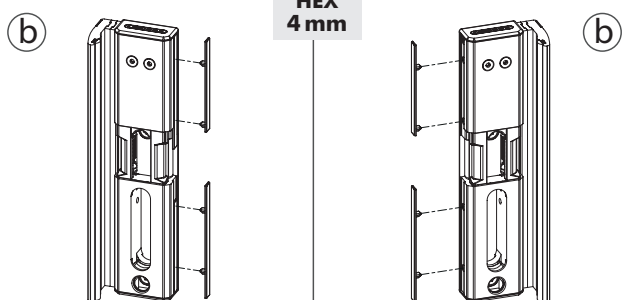
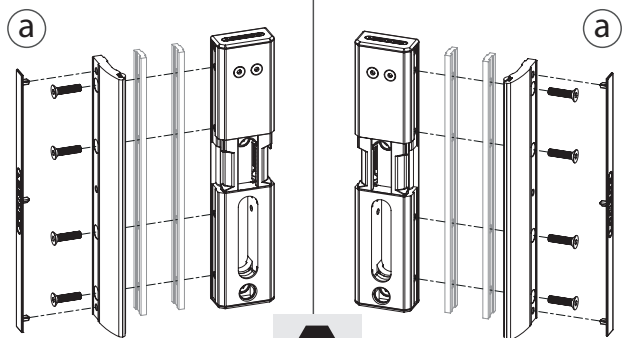
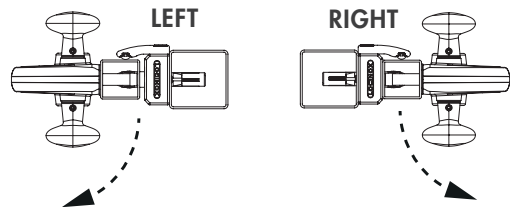
**A** = 50 mm  
2"



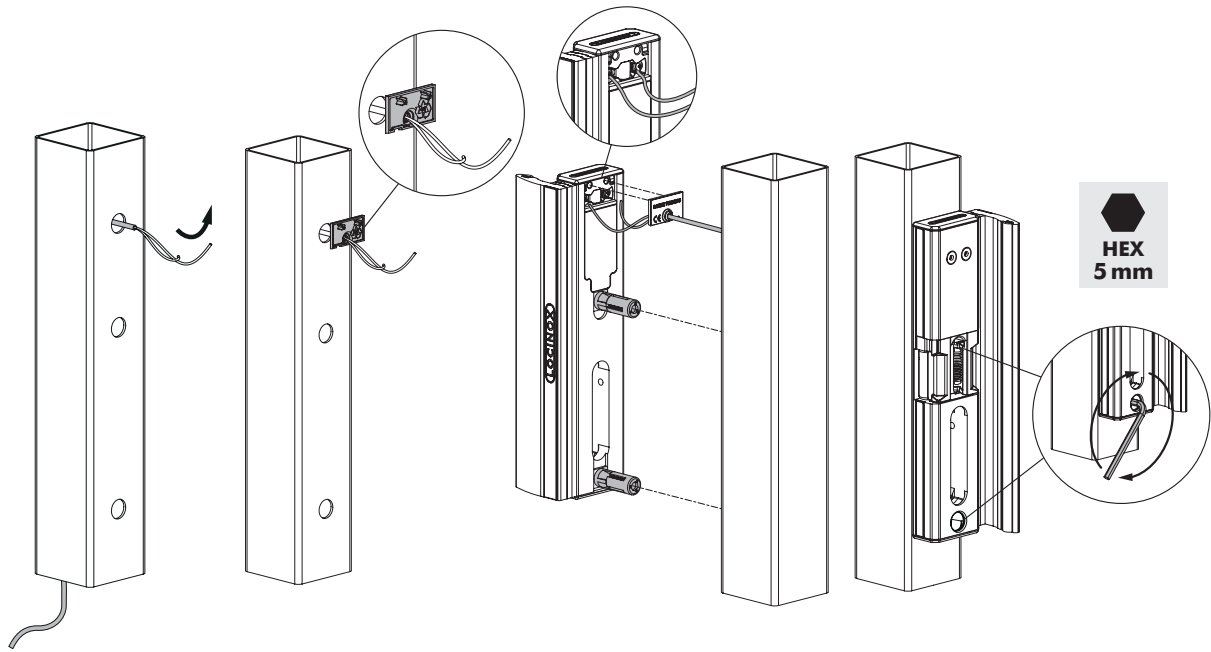
**A** = 60 mm  
2-3/8"



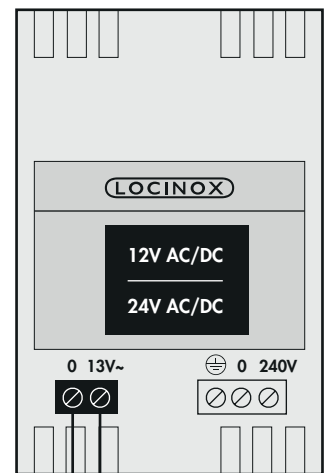
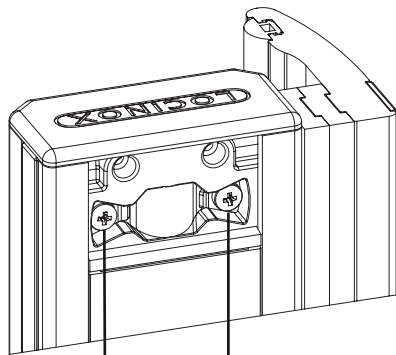
### ③ Left or right mounting



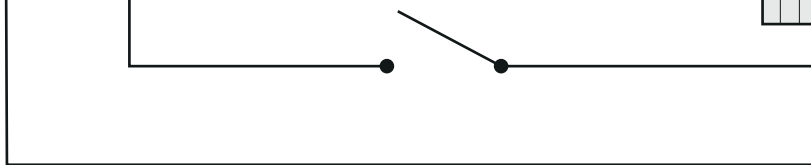
④ Mounting



⑥ Connecting



U: 12 V AC/DC  
24 V AC/DC  
P: 15 W



**LOCINOX**<sup>®</sup>  
WWW.LOCINOX.COM

**Doc. Nr.: MANU-000239**

Locinox nv • Mannebeekstraat 21 • B-8790 Waregem • Belgium  
Tel. +32 (0)56 77 27 66 • Fax. +32 (0)56 77 69 26 • E-mail: locinox@locinox.com



\* M A N U - 0 0 0 2 3 9 \*