

# SLIDE GATE OPERATOR



## ARES 1500

ELECTROMECHANICAL AUTOMATION FOR RACK SLIDING GATES

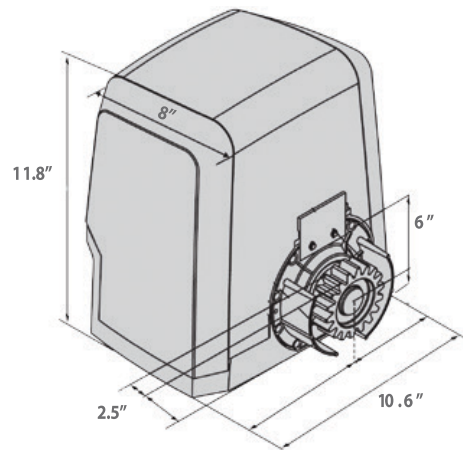


• **THE SLIDING GATE OPERATOR OFFER IS NOW EVEN WIDER:**

> ARES1500 operator widens the BFT range of sliding gate operators. Classed amongst the "medium-heavy" weight range, they integrate with existing products to obtain an operator that is perfectly suited to the gate every time.

• **LOW VOLTAGE MOTOR:**

> The 24V electrical motor guarantees maximum accuracy in torque and speed control. It is suitable for intensive gate use.  
 > Optional battery back-up can be fitted within the operator casing.  
 > Operator is "Ecosol" solar compatible.



REFERENCE	DESCRIPTION	VOLTAGE	LEAF WEIGHT
P926191 00001	ARES 1500	24 V	up to 3,300 lbs (~1,500 kg)

### TECHNICAL FEATURES

Control panels	Merak (incorporated)
Reversible/irreversible operator	irreversible
Power supply	120 V 60 Hz single-phase
Absorbed power	400W
Thermal protection	integrated
Leaf Speed	5.9 ips
Pinion Pitch	4 mm (18 teeth)
Impact reaction	electronic torque limiter
Manual release	Lever-operated with key
Operating cycle	intensive use
Environmental conditions	-4°F to 131°F
Degree of protection	IP44
Operator weight	20 lbs
Limit switches	magnetic

# SLIDE GATE OPERATOR

## GEAR RACK



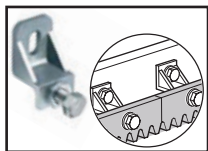
### D571053 - CVZ

30mm x 12mm, 4mm-pitch galvanized adjustable steel rack 3' 3" length.



### D221073-CP

22mm x 22mm, 4mm-pitch plastic coated rack with adjustment slots. 3' 3" length.



266

Threaded gear rack connection.

## DRIVEWAY LOOPS AND DETECTORS



### DIRECT BURIAL LOOPS

#### Reverse Loops

**EL24-60** – 24 foot Loop 4' x 8' loop, 60ft lead wire

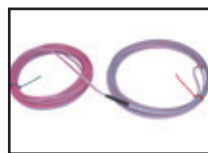
**RL36-40** – 36 foot Loop 6' x 12' loop, 40ft lead wire

**EL44-60** – 44 foot Loop 6' x 16' loop, 60ft lead wire

#### Free Exit Loops

**EL36-100** – 36 foot Loop 6' x 12' loop, 100ft lead wire

**EL44-100** – 44 foot Loop 6' x 16' loop, 100ft lead wire



### SAW CUT LOOPS

#### Reverse Loops

**SC24-50** – 24 foot Loop 4' x 8' loop, 50ft lead wire

**SC36-50** – 36 foot Loop 6' x 12' loop, 50ft lead wire

**SC44-50** – 44 foot Loop 6' x 16' loop, 50ft lead wire

#### Free Exit Loops

**SC36-100** – 36 foot Loop 6' x 12' loop, 100ft lead wire

**SC44-100** – 44 foot Loop 6' x 16' loop, 100ft lead wire



### KEXITPROBE

Mini Probe with vehicle sensor



### LOOP DETECTOR

#### DSP-7LP

Automatically adjusts its sensitivity level when used on different sized loops.



### CP31005W

- 100' of wire

### CP32005W

- 200' of wire

Free-exit self contained system.

## SAFETY BEAMS



### KIRPOLAPHOT001

Polarized reflective photocell. Provided with reflector and hood.



### P111043 00001

Flat photocell receiver/transmitter set for external applications. This set has a range up to 100 ft (30m) and runs on a 24V power supply.

## ACCESS CONTROL



### P121024-Q-BOX

Digital keypad with 10 channels and 100 combinations. Backlit.



### BFTCELL-PRIME

BFT Cellular Call Box with keypad open gates from your phone when using the app.



### CEO-42/9c

Pad mount for gooseneck post

### CEO-64/9

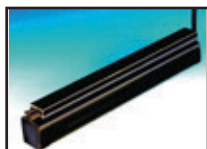
Inground gooseneck post



### WIFI-BFT-KPAD

Connect to the systems video directly through your phone or tablet's wifi.

## SAFETY EDGES



### Monitored Safety Edge

Sensor to eliminate pinch points and entrapment.

**ME120-2E-04-T2** (4ft length)

**ME120-2E-05-T2** (5ft length)

**ME120-2E-06-T2** (6ft length)

### Aluminum Channel

Mounting channel for monitored safety edge.

**ME120-C-4FT**

**ME120-C-5FT**

**ME120-C-6FT**



### RBand Monitored Gate Kit – RB-G-K10

A wireless monitored transmitter/receiver kit for automated gate systems. It monitors the presence and function of sensing edges and transmits a wireless monitored signal to the operator controls. The receiver is compatible with up to six wireless transmitters; for leading and trailing edges.

### Transmitter – RB-TX10

Wireless transmitter compatible with monitored gate receiver.

### Receiver – RB-G-RX10

Wireless receiver compatible with monitored gate transmitter.

## ACCESSORIES



### D111904 - MITTO 2 12V

12V Two channel 433Mhz rolling code remote control.



### P125035- SL BAT2

24VDC battery backup system for ARES 1500 it includes a charger board that activates the batteries when the power is off and charges the batteries when the power is on.



### D730298 - 25 TEETH PINION

Larger pinion for increased speed (7.9ips, 12rpm). Max gate weight Ares 1500 1650lb (750Kg).



### KED113731 - ECOSOL KIT

Interface, solar panel and 15' of panel cable for running BFT control panels off 24V solar power.