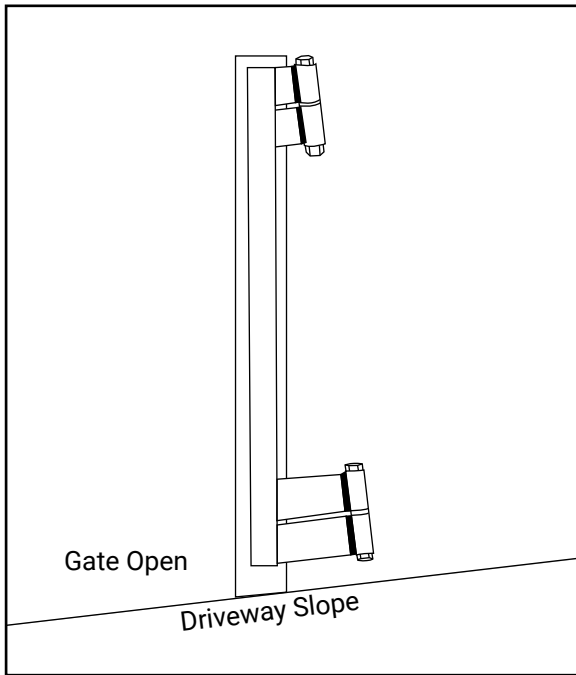
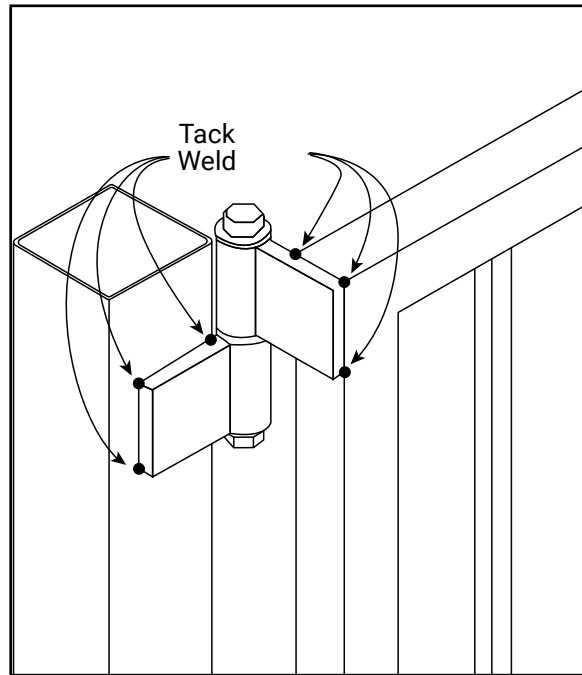


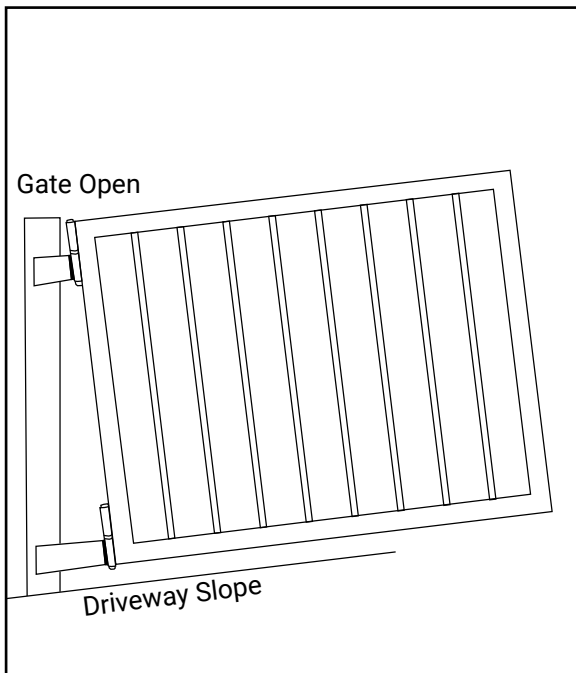
Uphill Hinge Installation Guide



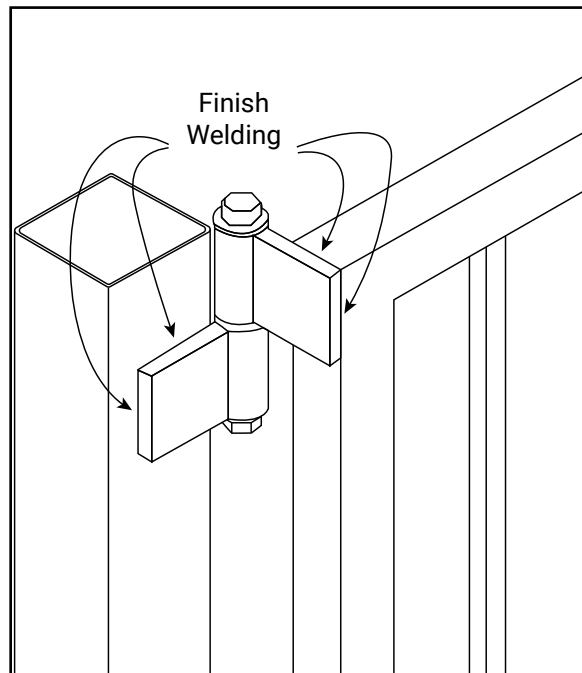
Step 1: Place gate in closed position. Align hinges to the driveway slope. Be sure hinges are aligned with each other.



Step 2: Tack weld top plate to gate. Tack weld bottom plate to post. Support gate while welding to insure no sagging occurs.



Step 3: Swing open the gate to test alignment. If welds do not hold, hinges are not properly aligned. Repeat from step one.



Step 4: If tack welds hold, hinge may be completely welded. Support gate while welding to insure no sagging occurs.