

# UNDERGROUND SWING GATE OPERATOR



tuned to you

## SUB UL/CSA

UNDERGROUND HYDRAULIC OPERATOR FOR SWING GATES



C US  
LR 100400

UL 325  
COMPLIANT



• **A MODEL FOR EVERY NEED.**

> Two versions available, for 125° and 180° opening angles.

• **SAFE USE.**

> Crushing protection guaranteed by two adjustable bypass valves.

• **SIMPLER INSTALLATION.**

> Maintenance is carried out without any need to raise or disassemble the gate.

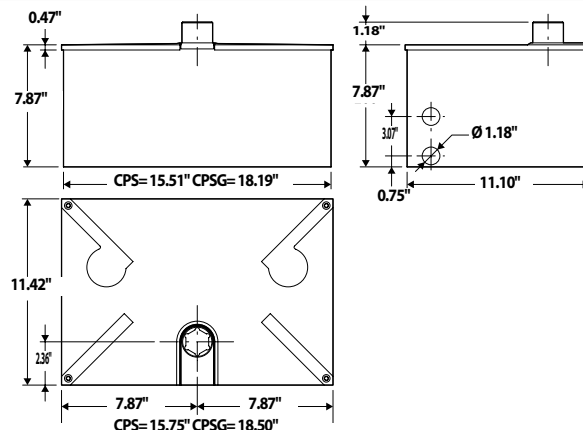
> The special foundation case makes it possible to remove the operator without taking off the gate leaf.

REFERENCE	DESCRIPTION	VOLTAGE	LEAF WEIGHT	LEAF LENGTH
P930012 00007	SUB R UL/CSA DX	120 V	up to 1750 lbs (~800 kg)	up to 11'6" (3.5 m)
P930012 00008	SUB R UL/CSA SX	120 V	up to 1750 lbs (~800 kg)	up to 11'6" (3.5 m)

**DX = Motor on right hand side of driveway from inside the property.**  
**SX = Motor on left hand side of driveway from inside the property.**

### TECHNICAL FEATURES

Control panel	RIGEL 4 UL/CSA (suggested)
REVERSIBLE/IRREVERSIBLE OPERATOR	irreversible
Power supply	120 V, 60 Hz single-phase
ABSORBED POWER	0.33 hp (250 W)
Thermal protection	integrated
OPENING ANGLE	125°
Opening or closing time	14 s
SLOWDOWN	opening/closing
Impact reaction	hydraulic clutch
LOCK	hydraulic opening/closing
Manual release	release key
OPERATING CYCLE	intensive use
Environmental conditions	from 14°F (-10°C) to 140°F (+60°C)
DEGREE OF PROTECTION	IP67
Operator weight	48 lbs (~22 kg)
DIMENSIONS	below
fuse value Rigel 5 board Transformer	2AT
FUSE VALUE RIGEL 5 BOARD LOGIC BOARD	1AT
fuse value Rigel 4 board Transformer	2AT
FUSE VALUE RIGEL 4 BOARD LOGIC BOARD	1AT



# UNDERGROUND SWING GATE OPERATOR

## DRIVEWAY LOOPS AND DETECTORS



### DIRECT BURIAL LOOPS

#### Reverse/Shadow Loops

**EL24-60** – 24 foot Loop  
4' x 8' loop, 60ft lead wire

**RL36-40** – 36 foot Loop  
6' x 12' loop, 40ft lead wire

**EL44-60** – 44 foot Loop  
6' x 16' loop, 60ft lead wire

#### Free Exit Loops

**EL36-100** – 36 foot Loop  
6' x 12' loop, 100ft lead wire

**EL44-100** – 44 foot Loop  
6' x 16' loop, 100ft lead wire



### SAW CUT LOOPS

#### Reverse/Shadow Loops

**SC24-50** – 24 foot Loop  
4' x 8' loop, 50ft lead wire

**SC36-50** – 36 foot Loop  
6' x 12' loop, 50ft lead wire

**SC44-50** – 44 foot Loop  
6' x 16' loop, 50ft lead wire

#### Free Exit Loops

**SC36-100** – 36 foot Loop  
6' x 12' loop, 100ft lead wire

**SC44-100** – 44 foot Loop  
6' x 16' loop, 100ft lead wire



### KEXITPROBE

Mini Probe with vehicle sensor



### LOOP DETECTOR

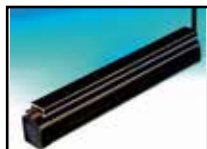
#### DSP-7LP

Automatically adjusts its sensitivity level when used on different sized loops.



**CP31005W** - 100' of wire  
**CP32005W** - 200' of wire  
Free-exit self contained system.

## SAFETY EDGES



### Monitored Safety Edge

Sensor to eliminate pinch points and entrapment.

**ME120-2E-04-T2** (4ft length)

**ME120-2E-05-T2** (5ft length)

**ME120-2E-06-T2** (6ft length)

### Aluminum Channel

Mounting channel for monitored safety edge.

**ME120-C-4FT**

**ME120-C-5FT**

**ME120-C-6FT**



### Monitored Gate Link – MGL-K20

Monitored Gate Link detects the presence and function of a monitored Sensing Edge and transmits a wireless monitored signal to operator controls. The receiver is compatible with up to two transmitters; for leading and trailing edges.

### Transmitter – MGL-TX20

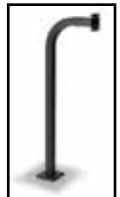
Wireless transmitter compatible with monitored gate link receiver.

## ACCESS CONTROL



### P121024-Q-BOX

Digital keypad with 10 channels and 100 combinations. Backlit.



### CEO-42/9c

Pad mount for gooseneck post

### CEO-64/9

Inground gooseneck post



### BFT-CELLBOX-KP+

BFT Cellular Call Box with Keypad open gates from your phone when using the app.



### WIFI-BFT-KPAD

Connect to the systems video directly through your phone or tablet's wifi.

## ACCESSORIES



### D111904 - MITTO 2 12V

12V Two channel 433Mhz rolling code remote control.



### N733066 00001 - CPS DX

Bearing foundation case for SUB operator (right hand). Maintenance can be carried out without disassembling the gate.



### N733066 00002 - CPS SX

Bearing foundation case for SUB operator (left hand). Maintenance can be carried out without disassembling the gate.



### KERIG5C020U

12" x 14" Lockable Fiberglass Enclosure Box  
Steel Back Panel  
Rigel 5 Control Board with built in receiver  
110 Volt Outlet for accessories  
Test Button

## SAFETY BEAMS



### KIRPOLAPHOT001

Polarized reflective photocell. Provided with reflector and hood.



### P111043 00001

Flat photocell receiver/transmitter set for external applications. This set has a range up to 100 ft (30m) and runs on a 24V power supply.