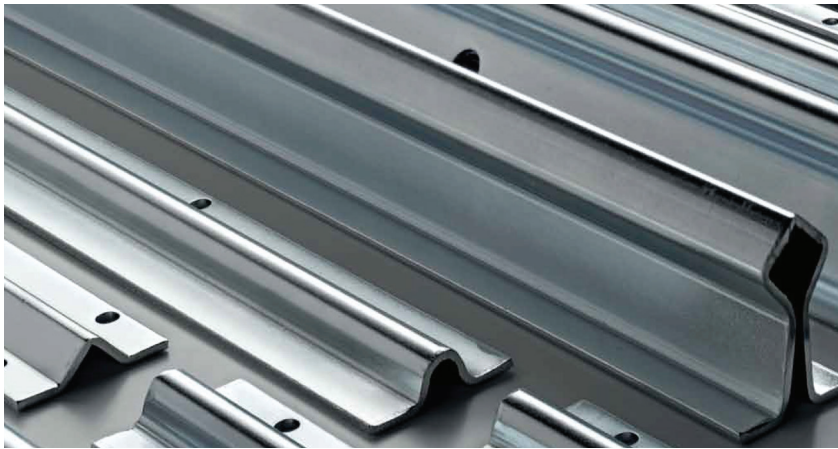


V-GROOVE ROLLING GATE SYSTEM

Mfg. in Italy by  **COMUNELLO**
LIFE MADE EASY

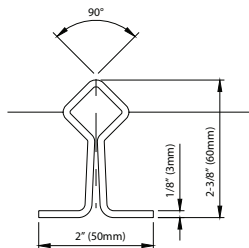
Manufactured in Italy by Comunello, this galvanized V-groove rolling gate hardware is a high quality system for residential and commercial applications. The V-groove track can either be cemented in the ground or bolted in place. A wide variety of wheels are available with weight capacities ranging from 485lbs - 4200lbs based on size and method for attaching to the gate.



V-GROOVE TRACK - GALVANIZED

292-10FT
292-20FT

V-groove track to be recessed into the concrete foundation.

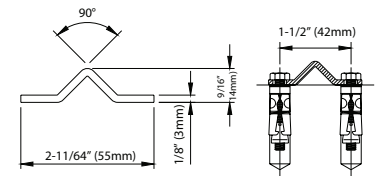


293-10FT
293-20FT

V-groove track to be bolted in place.

Hole size: 1/4" x 5/16"

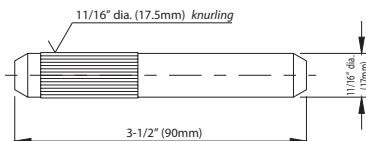
Spacing: 19-5/8" offset each side



V-GROOVE CONNECTION PINS - GALVANIZED

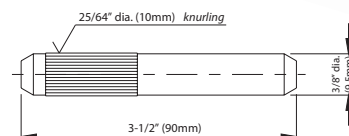
294

Connection pin to be used with track item 292



295

Connection pin to be used with track item 293



ALL DIMENSIONS ARE APPROXIMATE.

T: 908.757.2323 + F: 908.757.3439
AISALES@ARCHIRONDESIGN.COM + ARCHIRONDESIGN.COM

AIDI

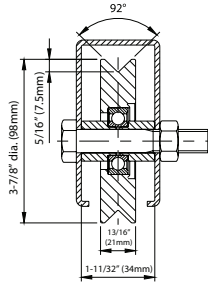
V-GROOVE ROLLING GATE SYSTEM

STANDARD V-GROOVE WHEELS - GALVANIZED



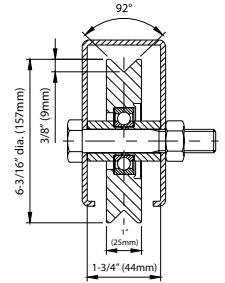
300V-100

- 4" wheel with **single bearing**
- M14 x 70mm wheel pin
- 485lb capacity per wheel



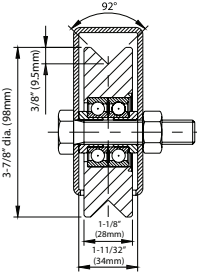
300V-160

- 6" wheel with **single bearing**
- M16 x 70mm wheel pin
- 640lb capacity per wheel



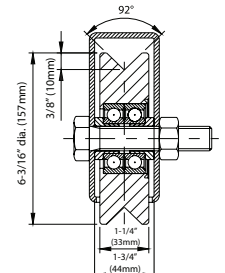
305V-100

- 4" wheel with **double bearing**
- M14 x 70mm wheel pin
- 940lb capacity per wheel



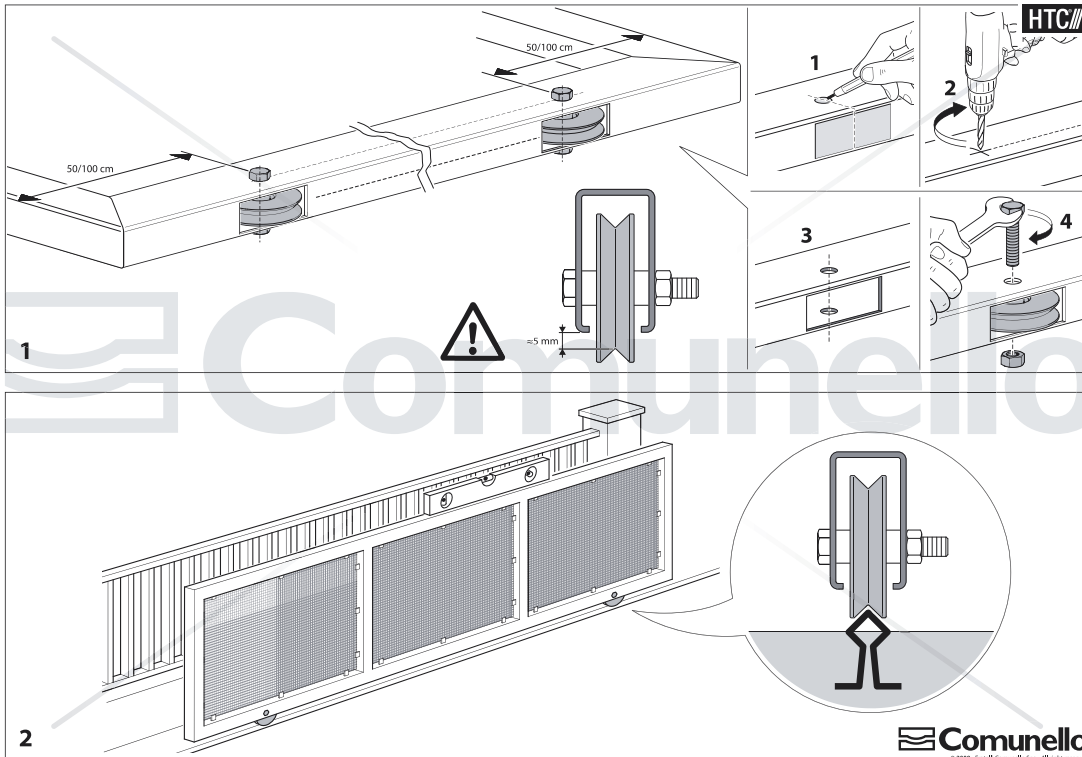
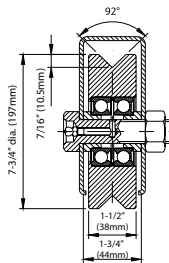
305V-160

- 6" wheel with **double bearing**
- M16 x 70mm wheel pin
- 1270lb capacity per wheel



322V-200

- 8" heavy duty wheel with **double bearing**
- M18 x 70mm wheel pin
- 2205lb capacity per wheel
- grease zerks fittings in axle



Comunello

Equally distributed weight

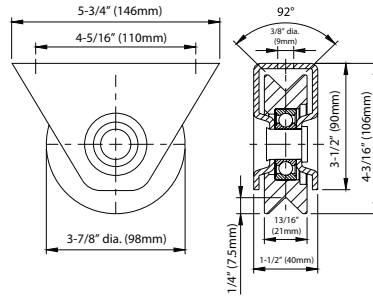
ALL DIMENSIONS ARE APPROXIMATE.

V-GROOVE ROLLING GATE SYSTEM

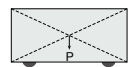
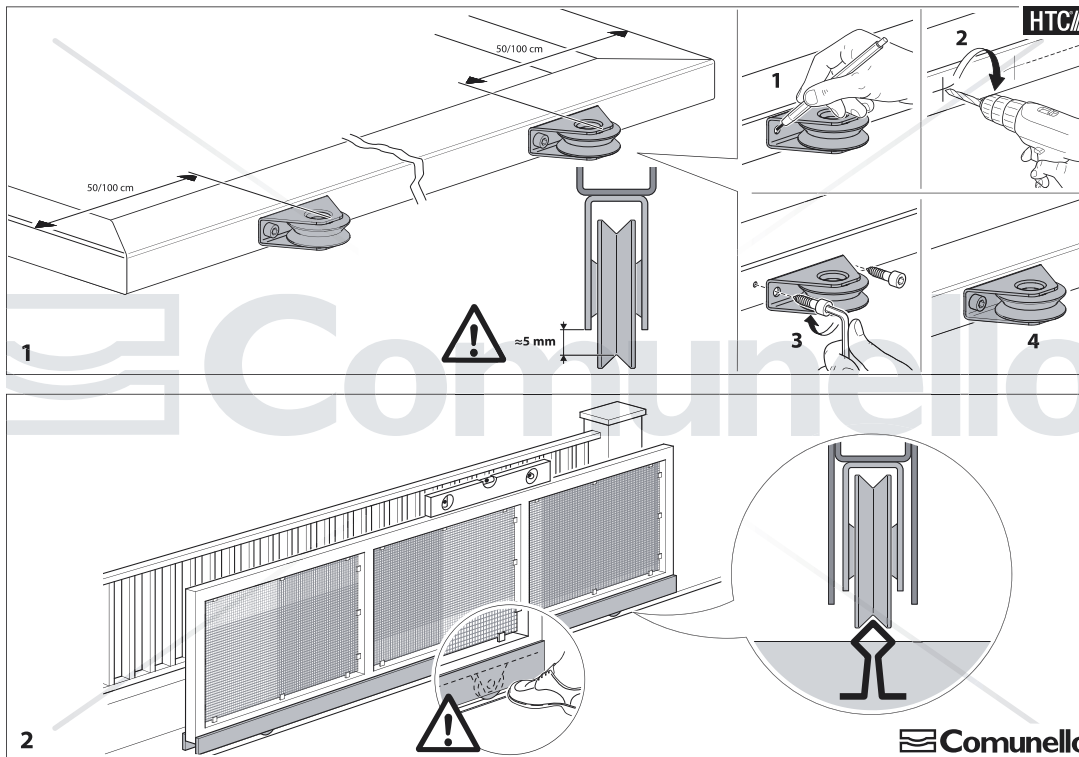
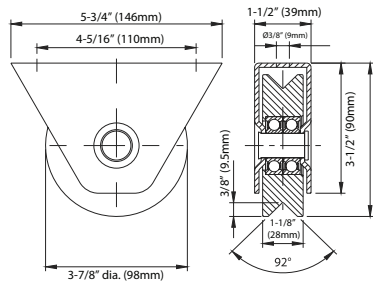
SURFACE MOUNTED V-GROOVE WHEELS - GALVANIZED



- 325V-100**
- 4" wheel with **single bearing** and external surface mount support
 - 485lb capacity per wheel



- 326V-100**
- 4" wheel with **double bearing** and external surface mount support
 - 890lb capacity per wheel



Equally distributed weight

ALL DIMENSIONS ARE APPROXIMATE.

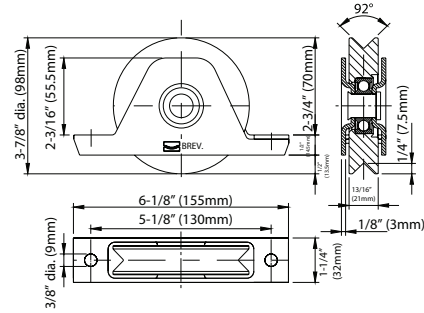
V-GROOVE ROLLING GATE SYSTEM

RECESSED MOUNT V-GROOVE WHEELS - GALVANIZED



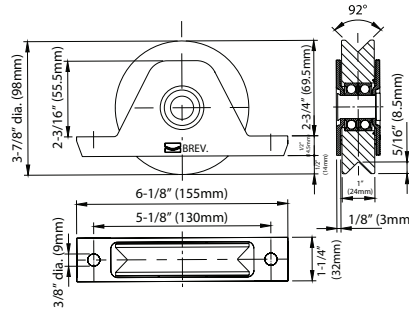
335V-100

- 4" wheel with **single bearing** and recessed mounting plate
- 440lb capacity per wheel



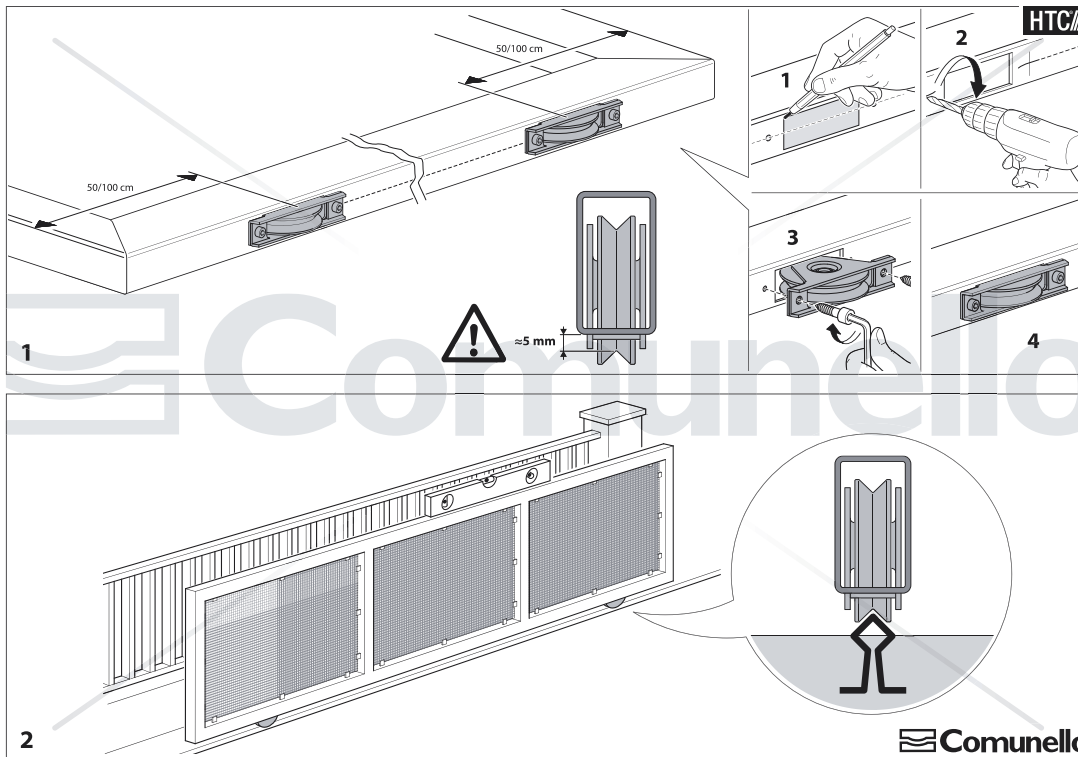
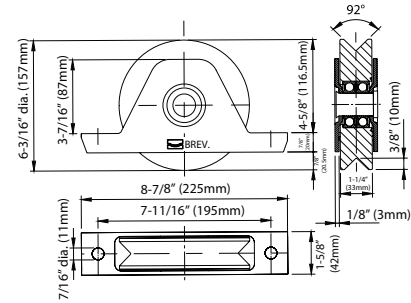
336V-100

- 4" wheel with **double bearing** and recessed mounting plate
- 840lb capacity per wheel



336V-160

- 6" wheel with **double bearing** and recessed mounting plate
- 1410lb capacity per wheel



ALL DIMENSIONS ARE APPROXIMATE.

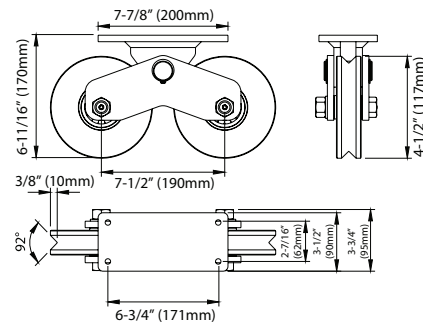
V-GROOVE ROLLING GATE SYSTEM

HD TWIIN WHEEL V-GROOVE - GALVANIZED



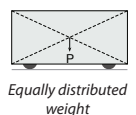
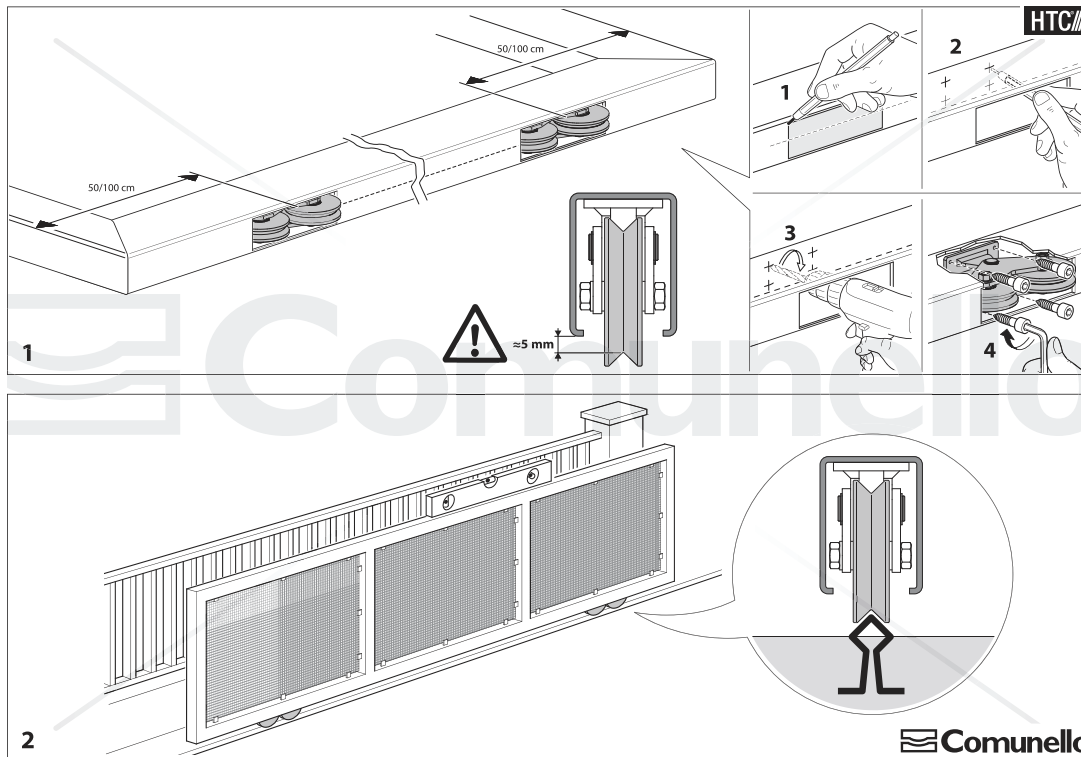
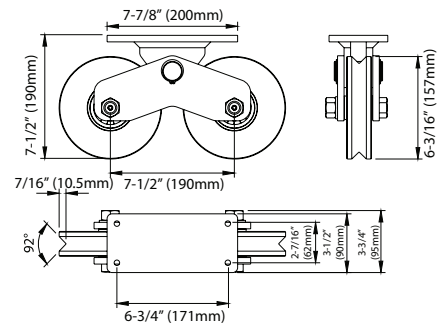
339V-120

- 4-3/4" heavy duty surface mounted twin wheels with **double bearing**
- M18 x 80mm wheel pin
- 2645lb capacity per wheel
- grease zerk fittings in axle



339V-160

- 6" heavy duty surface mounted twin wheels with **double bearing**
- M18 x 80mm wheel pin
- 4230lb capacity per wheel
- grease zerk fittings in axle

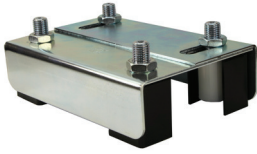


ALL DIMENSIONS ARE APPROXIMATE.

V-GROOVE ROLLING GATE SYSTEM

TOP GUIDE OPTIONS - GALVANIZED

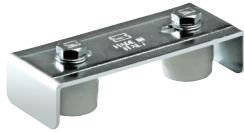
Adjustable Guiding Plate with roller covers to avoid pinch points.



255-220-C
For up to 2 $\frac{3}{8}$ " frame



256-220
For up to 3" frames
256-300
For up to 4 $\frac{1}{2}$ " frames



247
For 1 $\frac{1}{4}$ " to 2" Frames

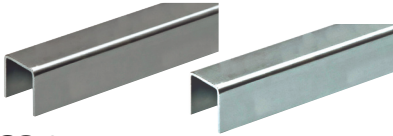


247F
For up to 3" frames

SIDE MOUNT GUIDE OPTIONS - GALVANIZED

USE FOR GATES WITH AN ARCHED TOP OR PROTRUDING PICKETS

Galvanized & Aluminum Guide Rail



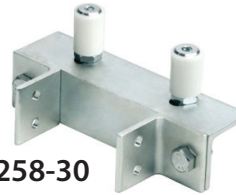
CG-254
Galvanized 1 $\frac{1}{2}$ " U-Channel, 9'10"

RG-387-19.68FT
Galvanized 1 $\frac{1}{4}$ " U-Channel, 19'8"

RG-387-9.84FT
Galvanized 1 $\frac{1}{4}$ " U-Channel, 9'10"

CG-237-20FT
Aluminum 1 $\frac{1}{2}$ " U-Channel, 20'

CG-237-10FT
Aluminum 1 $\frac{1}{2}$ " U-Channel, 10'



258-30
Double Roller
1 $\frac{1}{4}$ " dia.



CG-252
Single Roller
1 $\frac{1}{2}$ " dia.
This roller only works with CG-254

Non Marring
Rubber Rollers
2-1/4" dia.

NR3
3" Roller
NR6
6" Roller



Rubber Rollers
2-3/8" dia.

253-40
10" Side Roller
1-1/4" dia.
2" clearance
Use 2 per gate min.



RR3
3" Roller
RR6
6" Roller
RR12
12" Roller



GATE STOP - GALVANIZED



202
• Runaway stop
• Mounted via screws
• 4-3/4" high



202F-A
Damped runaway stop. Mounted via screws.

NYLON REPLACEMENT ROLLER



230-30
1-3/16" dia.
(30mm)

230-40
1-1/2" dia.
(39mm)

ALL DIMENSIONS ARE APPROXIMATE.