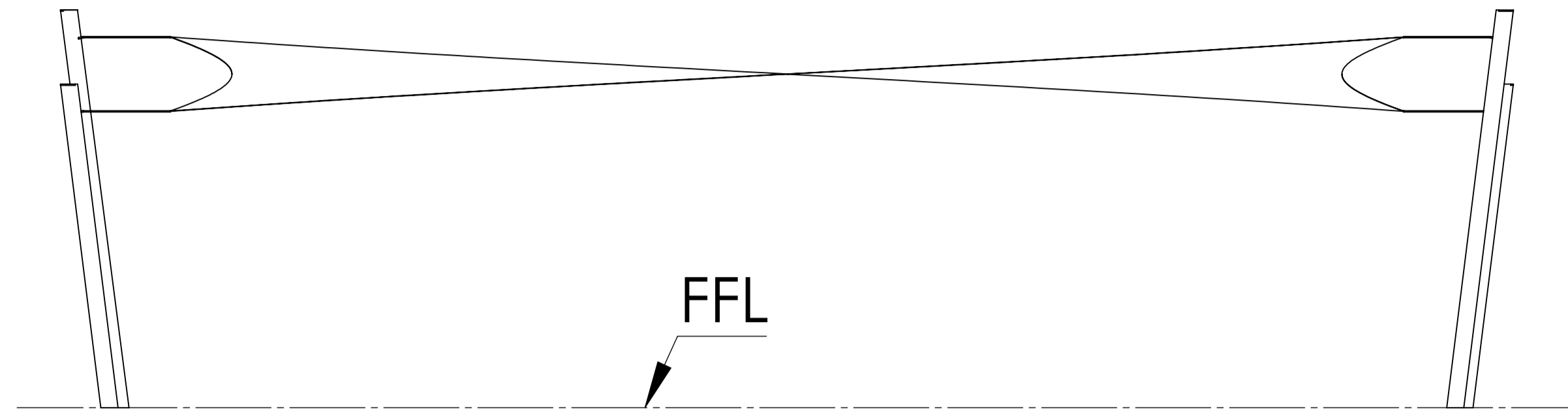
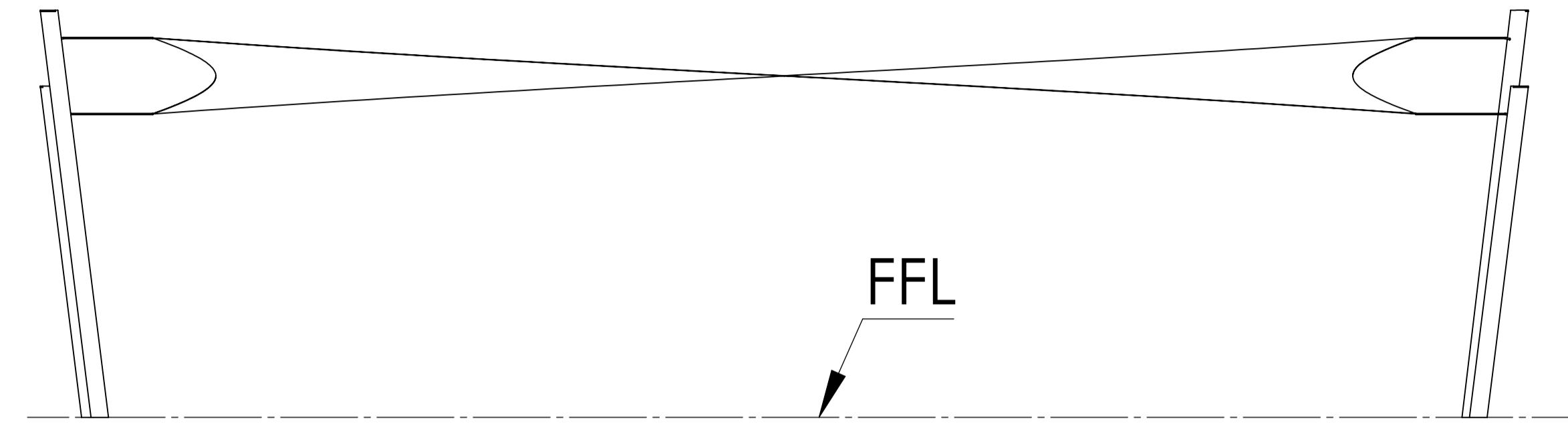


Able Canopies Ltd

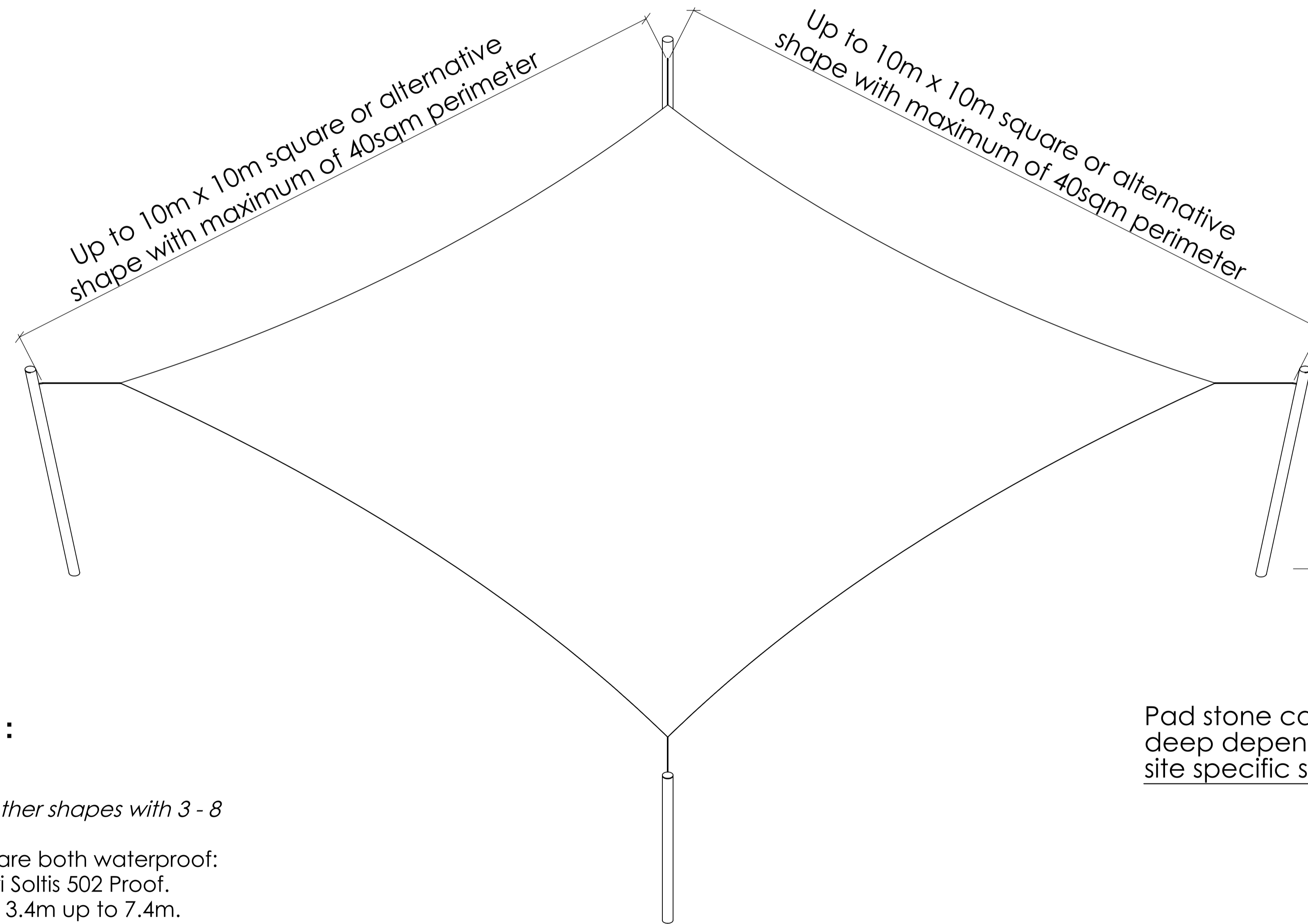
Waterproof Shade Sails



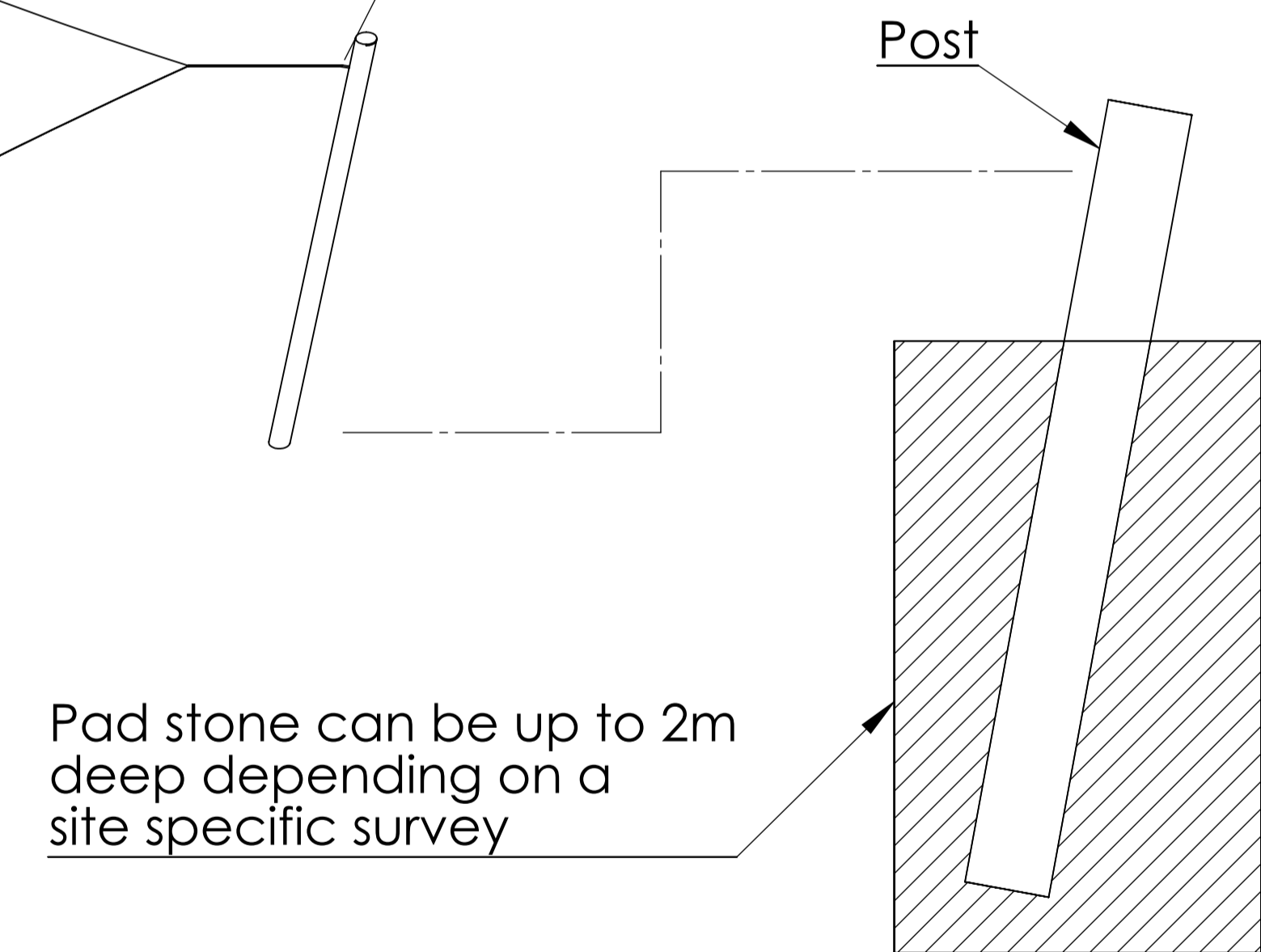
Front view



Side view



Base & Post Connection Information



Material List & Component Information :

- 1, Size:** Up to 10m x 10m square, also available in other shapes with 3 - 8 corners up to a 40m² perimeter.
- 2, Fabric:** Available in two fabrics as standard which are both waterproof: Serge Ferrari Flexlight 6002 and Serge Ferrari Soltis 502 Proof.
- 3, Posts:** Range from 114mm, 168mm & 219mm from 3.4m up to 7.4m. CHS galvanised steel which is available powder coated in an RAL colour at an additional cost.
- 4, Fixings:** The sails are fixed to the posts with eye bolts and rigging screws.
- 5, Post Installation:** Installed into the ground with concrete padstones that can be up to 2m deep depending on a site-specific survey.

Please note: This is a standardised product data sheet and is subject to change depending on individual cases, or site specific surveys.

Specific drawings are available upon request or on receipt of an order.



Originator:
Able Canopies Ltd

Drawing Title: Able Canopies

Product: Waterproof Shade Sails

3rd Angle Projection	Page	Date	Page Size	Scale	Drawn
	1 of 1	08/04/26	A1 (L)	N/A	SP

Finish	Issuer	(Tol)	Sequence	Revision
N/A	ACS	+/- 1 mm	000001	v1.1

This drawing and the product it displays is the sole property of Able Canopies Ltd any reproduction of this drawing or product without the written permission of Able Canopies Ltd is prohibited.